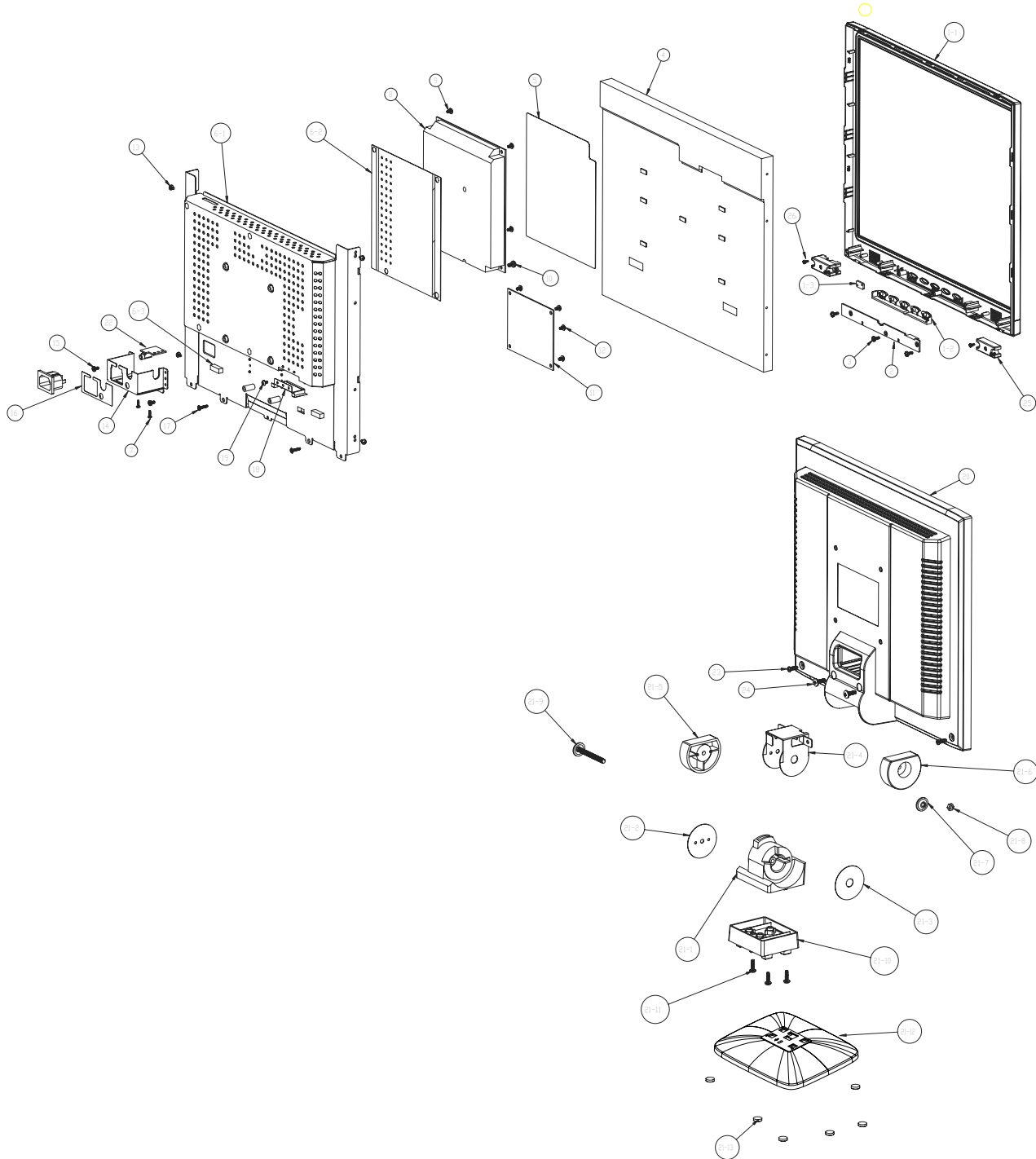


3. Recommended Parts List

Note: 1. If you have spare parts need, please check BOM to get the last release part number and related information.

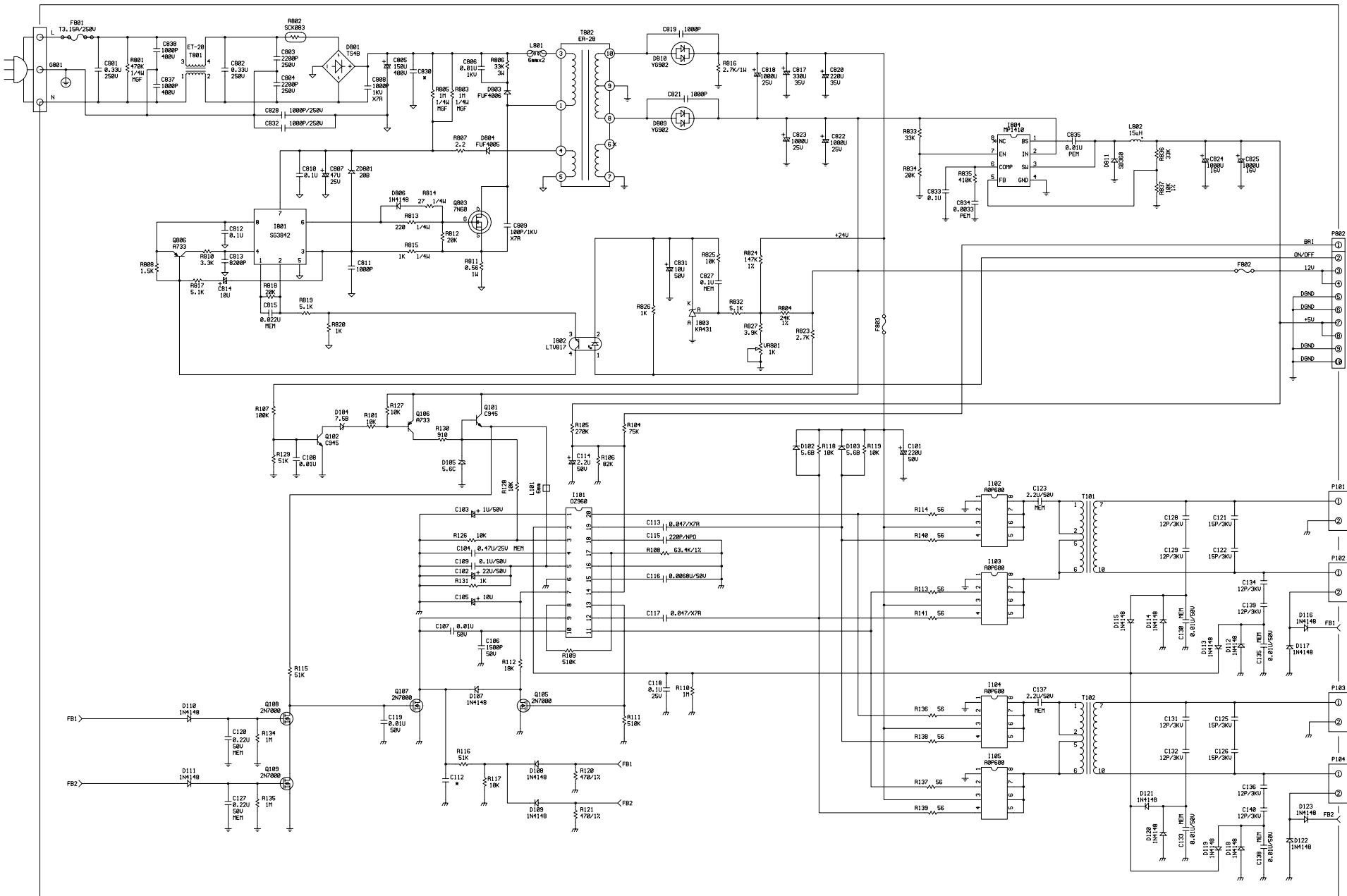
No.	Location	Part Number	Description
1	I301	6442036518	IC Linear AIC 1117-25CETR TO-252
2	I302	6442023326	IC Linear AIC 1084-33CM TO-263
3	I304	6448018208	IC 24LC02B SOP-8 MICROCHIP
4	I304	6448018218	IC M24C02 SOP-8 ST
5	I305	6444015206	IC MST8111B QFPQ-128 Mstar
6	I308	6448016508	IC 24LC16B SOP-8 MICROCHIP
7	I308	6448016518	IC M24C26 SOP-8 ST
8	I312	6444014708	FET P-Channel AO3401 SOT-23 AOS
9	I307	6448015578	IC MTV312MV64-AJ PLCC44 Myson
10	X301	6449006400	Crystal 14.318MHz AT-49 TOPICS
11	X302	6449004820	Crystal 11.0592MHz AT-49 TOPICS
12	I311	6442023100	IC Amplifier TDA7496L PDIP20 ST
13	L301	6111456131	Coil Choke 45uH DRWW 10x10



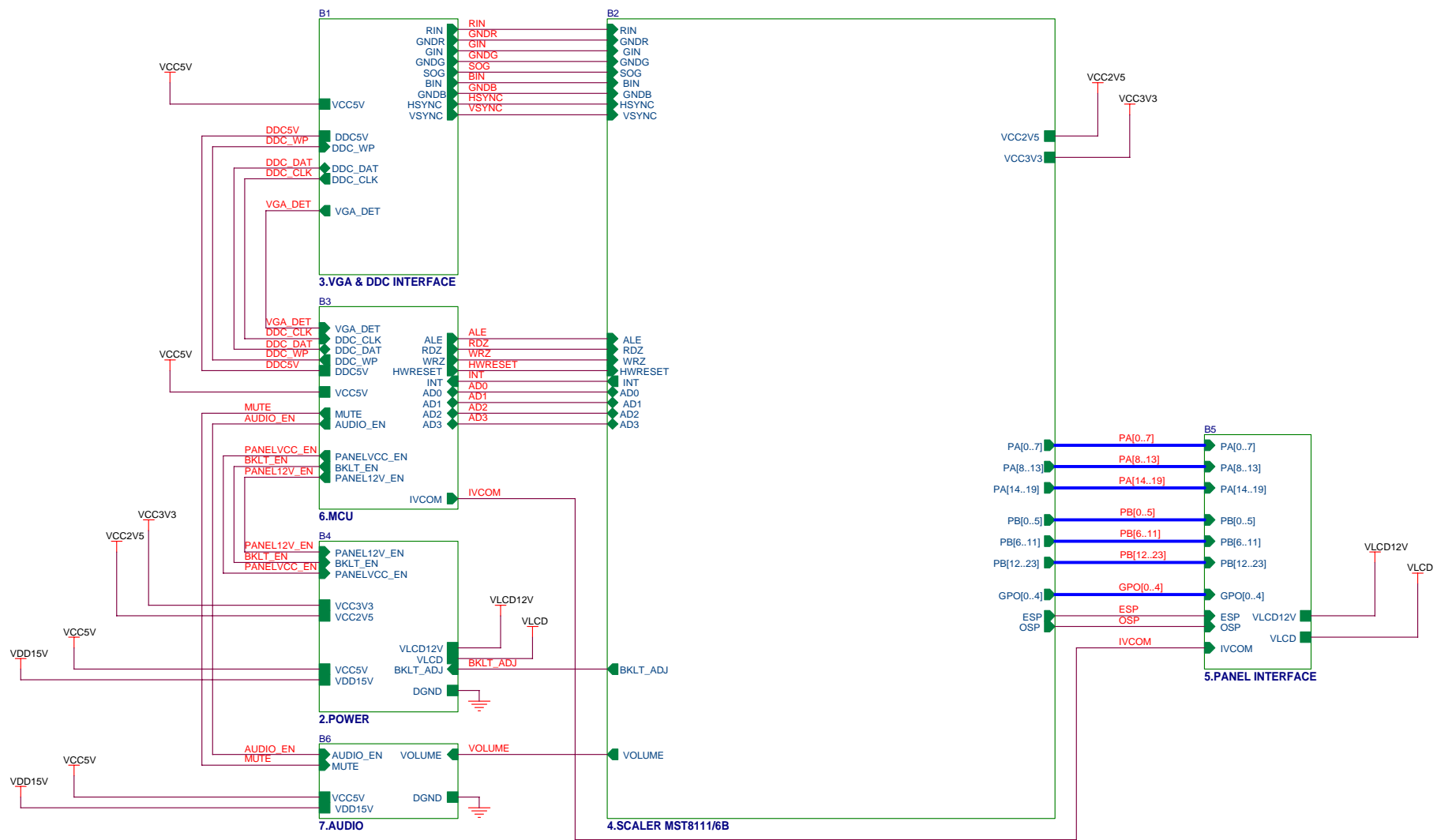
DATE	ZONE	LT#	ECN	DESCRIPTION	DATE	APPROVED
07/23/03				RELEASE FOR PRELIMINARY		

ITEM	SUB-ITEM	PART NO.	DESCRIPTION	QTY
1		773750099-0A	EYE ASSY	1
1-1		774226459-0A	FRONT COVER	1
1-2		774206682-0A	PUSH BUTTON	1
1-3		774230233-0A	LENS	1
2		811350038	PUSH BUTTON BD	1
3		774015080	SCREW M3x6(L)10M-BD	3
4		804104000	ODI PANEL	1
5		774650175-0A	BARRIER BOTTOM	1
6		773760740-0A	ODI CHASSIS ASSY	1
6-1		774970864-0A	ODI CHASSIS BR	1
6-2		774650189-0A	BARRIER TOP	1
6-3		774302971-0A	RUBBER	2
7		711230061-0A	SCREW M3x6(L)F BD	2
8		811430007	POWER SW	1
9		711230061-0A	SCREW M3x6(L)F BD	3
10		710240051-0A	SCREW M4x6(L)F BD	1
11		811330048	INTERFACE BR	1
12		711230061-0A	SCREW M3x6(L)F BD	4
13		711043005	SCREW M3x2(L)PANEL	4
14		774970864-0A	ODI SUPPORT	1
15		711043005	SCREW M3x2(L)PANEL	2
16		774240450-0A	LOGO TYPE	1
17		714033015-0A	SCREW M4x1(L)CHASSIS-FYD	2
18		774820247-0A	SHIELD	1
19		711043005	SCREW M3x2(L)PANEL	1
20		774322509-0A	REAR COVER	1
21		773770690-0A	WHEEL BASE ASST	1
21-1		774260958-0A	AXIS STAND	1
21-2		774800070-0A	WASHER-R	1
21-3		774900060-0A	WASHER-L	1
21-4		774870730-0A	AXIS SUPPORT	1
21-5		774360970-0A	AXIS WHEEL-R	1
21-6		774360980-0A	AXIS WHEEL-L	1
21-7		711230061-0A	SCREW M3x6(L)AXIS-L	1
21-8		728000301-0A	WASHER/AXIS	1
21-9		774800115-0A	WHL NS: 721030341(A)XIS	1
21-10		774260958-0A	STAND BLOCK	1
21-11		774940010	SCREW M4x1(L)STAND BLOCK	3
21-12		774041052-0A	BASE	1
21-13		774360130-0A	ODI PAD	6
22		811430007	AUDIO SW	1
23		714084012-0A	SCREW M4x1(L)F-R/CD	2
24		774800114-0A	SPK M4x1(L)SPEAKER-ODI	2
25		885710450	SPEAKER	1
26		774120061-0A	SCREW M4x6(L)SPEAKER	4

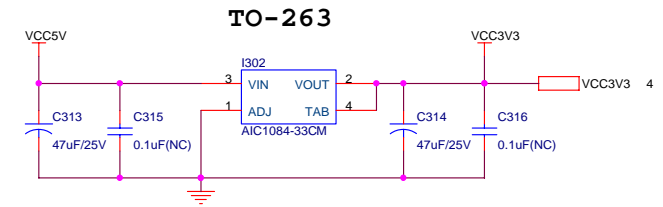
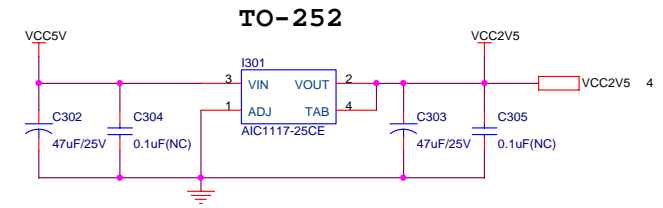
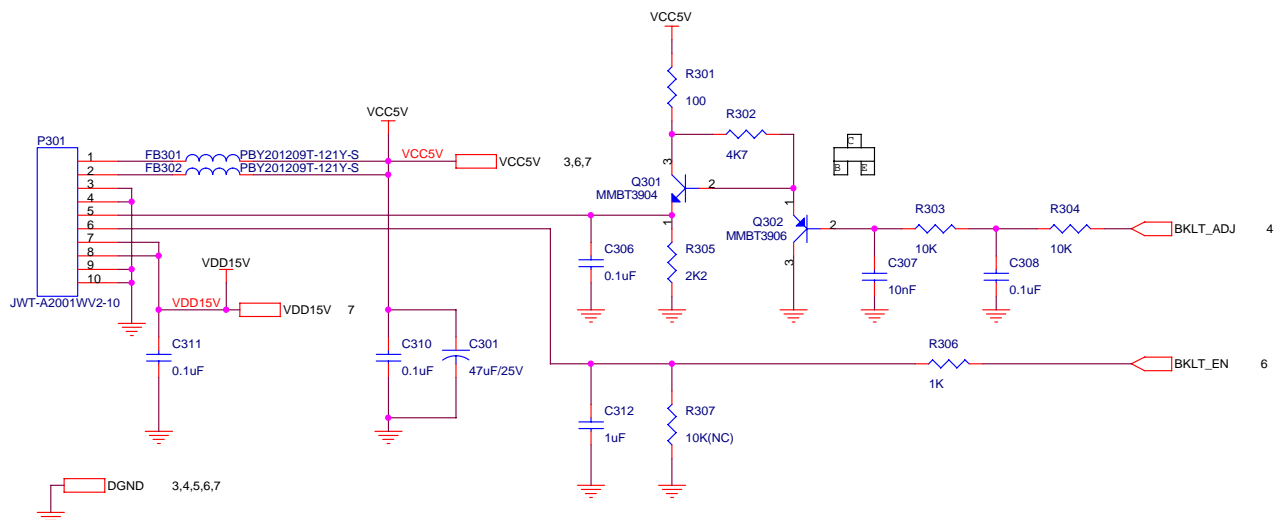
MATERIAL	SEE TABLE	LITE-ON TECHNOLOGY CO.	
FINISH		TITLE	
PROCESS		M17AAQ EXPLODE DWG	
USED ON	M17AAQ	DWG NO.	
DRAWN		PART NO.	
DESIGN	Carol Huang	DATE	07/23/03
CHECK		SCALE	1/1
APPROVE		SHEET 1 OF 1	



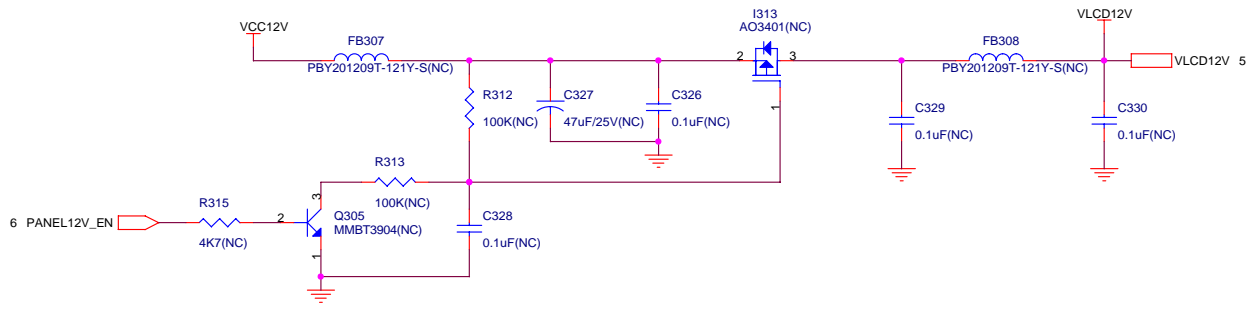
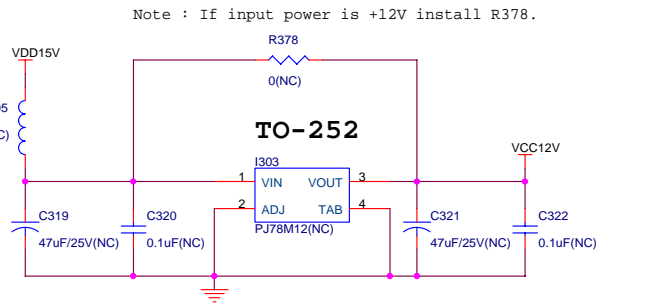
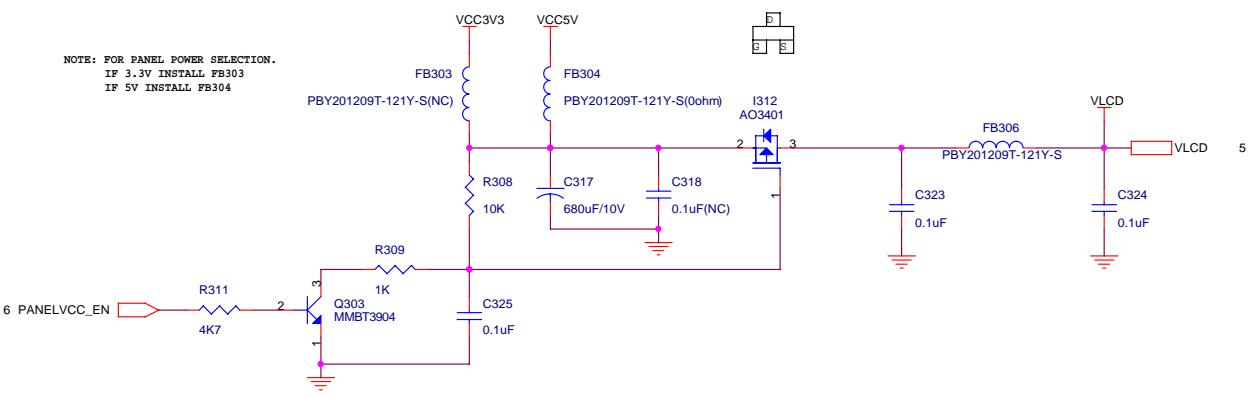
DRAWN :	DATE :	LITE-ON TECHNOLOGY CO.	
Regina Ni	03/14/03		
CHECK :	DATE :	TITLE : K17ANS/ANY HPD-K17AY INVERTER & POWER CKT.	
APPRO :	DATE :		
DESING :	DATE :	SCH NO :	SIZE :
CHECK :	DATE :	8813580000-01	A2
APPRO :	DATE :	PCB NO :	SHEET :
		6832135800-02	OF



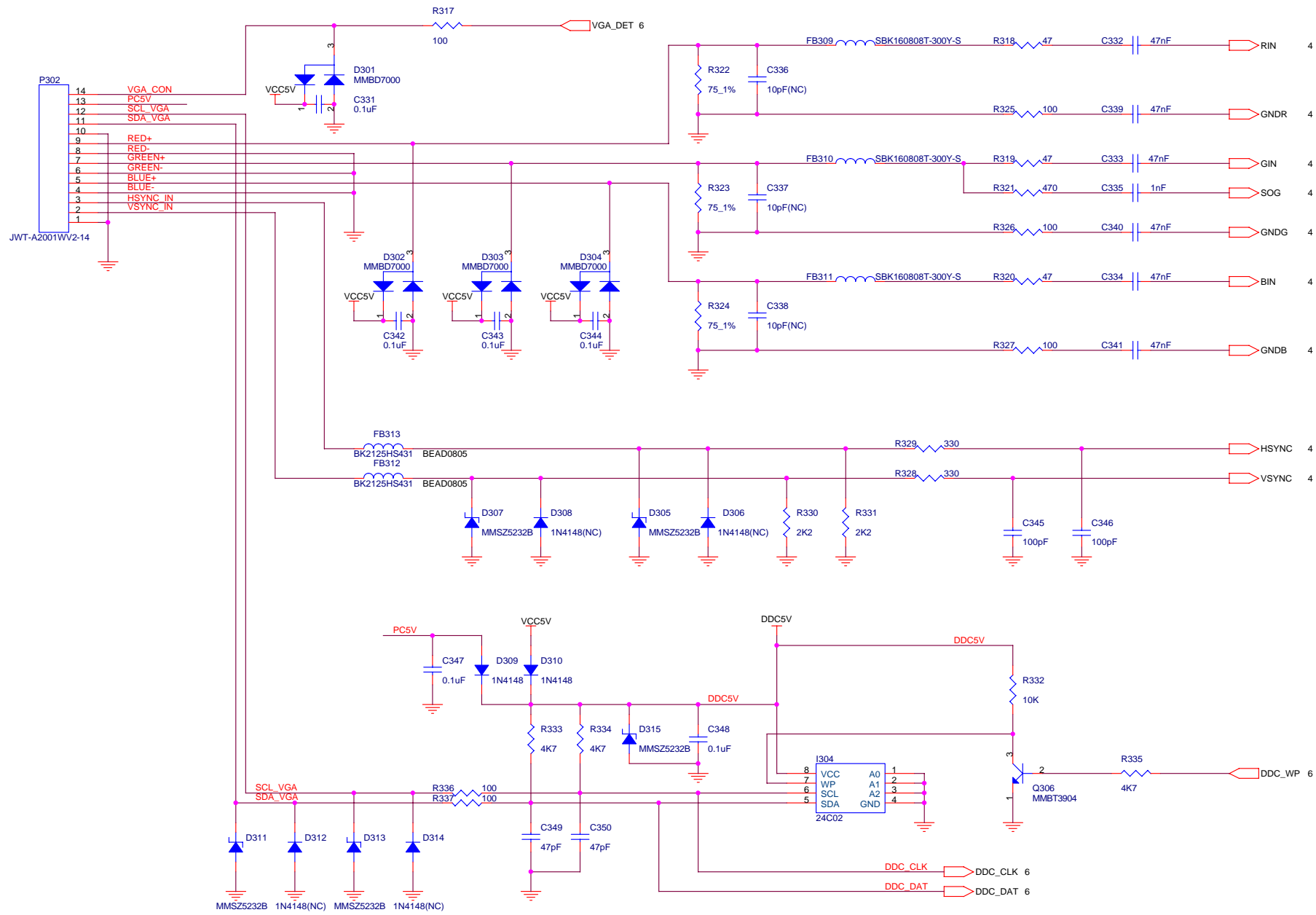
LITE-ON TECHNOLOGY CO.				Sheet: 2 of 8	Size: Custom
DRAWN:	Date:	DESIGN:	Date:	Title: M15_17AAX TOP DWG.NO: 8814680000-02 PCB.NO: 6832146800-02	
CHECK:	Date:	CHECK:	Date:		
APPRO:	Date:	APPRO:	Date:		



NOTE: FOR PANEL POWER SELECTION.
IF 3.3V INSTALL FB303
IF 5V INSTALL FB304

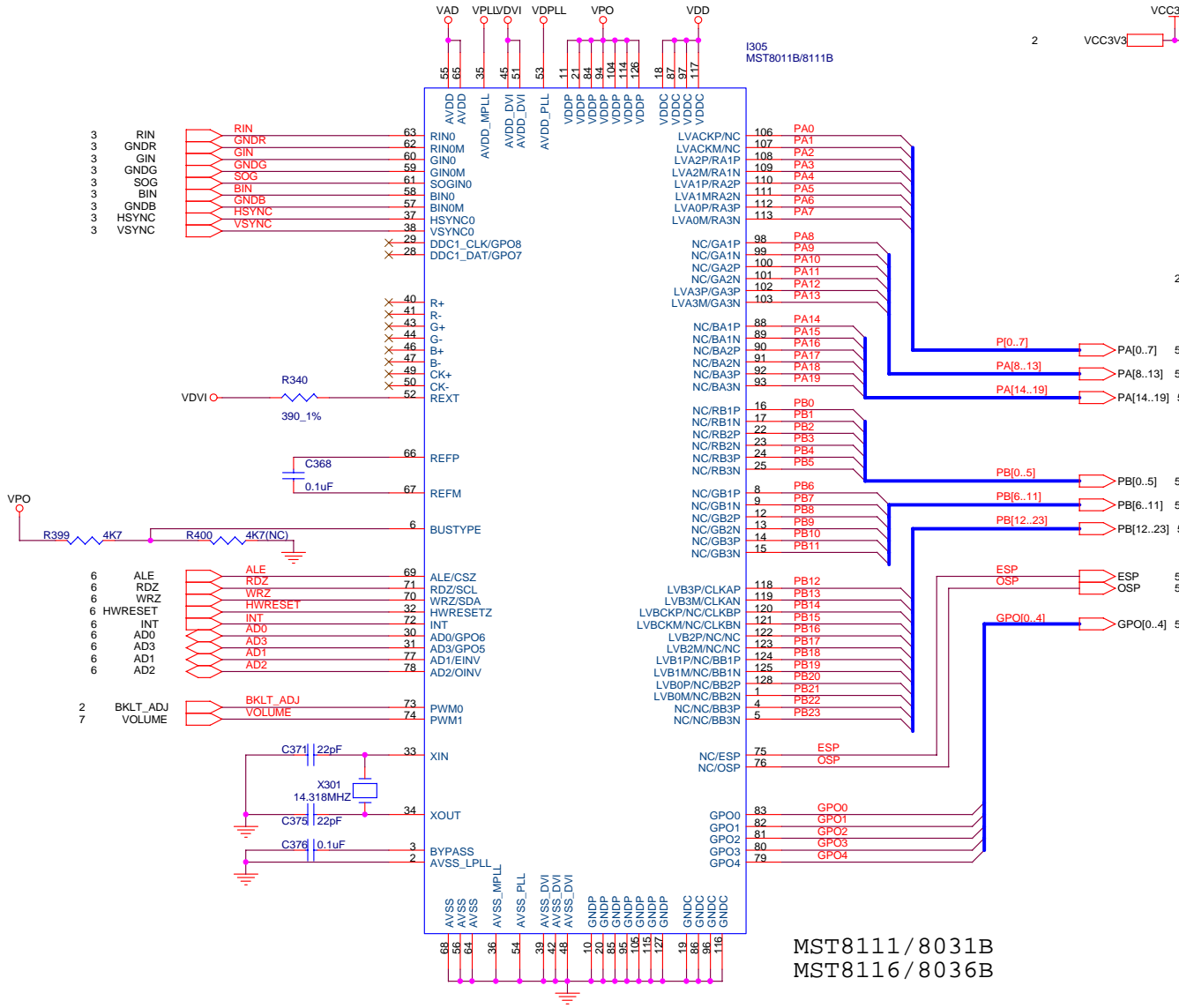


LITE-ON TECHNOLOGY CO.				Sheet: 3 of 8	Size: Custom
DRAWN:	Date:	DESIGN:	Date:	Title: M15 17AAX POWER	
CHECK:	Date:	CHECK:	Date:	DWG. NO: 8814680000-02	
APPRO:	Date:	APPRO:	Date:	PCB. NO: 6832146800-02	

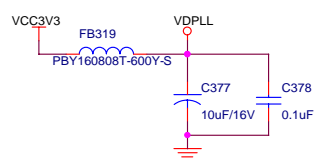
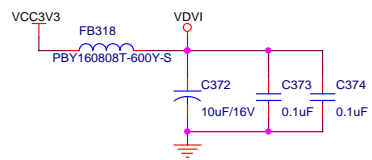
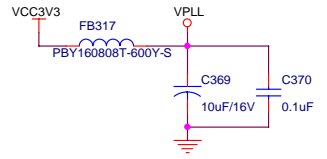
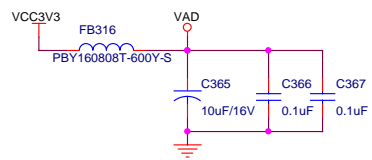
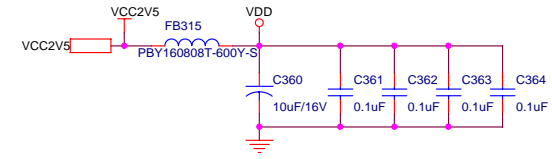
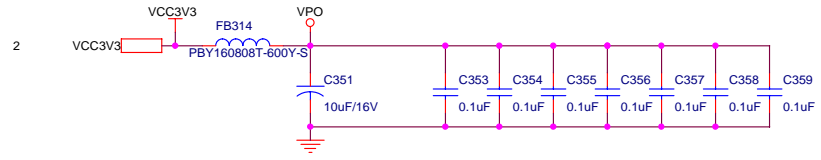


LITE-ON TECHNOLOGY CO.				Sheet: 4 of 8	Size: Custom
DRAWN:	Date:	DESIGN:	Date:	Title: M15_17AAX VGA & DDC INTERFACE	
CHECK:	Date:	CHECK:	Date:	DWG. NO: 8814680000-02	
APPRO:	Date:	APPRO:	Date:	PCB. NO: 6832146800-02	

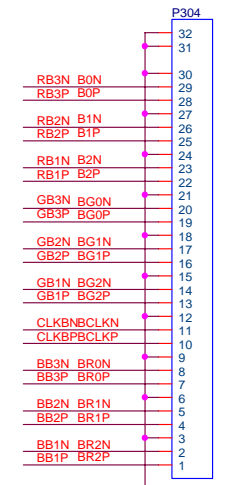
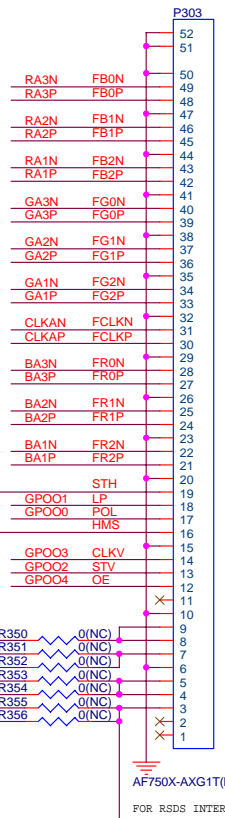
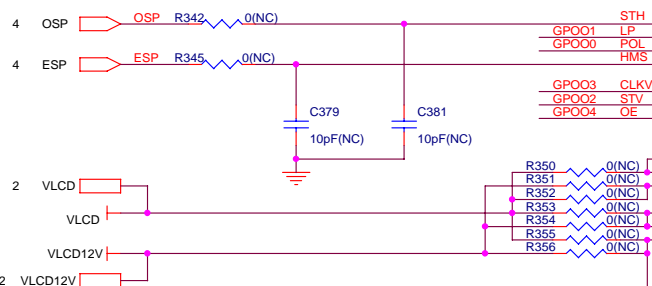
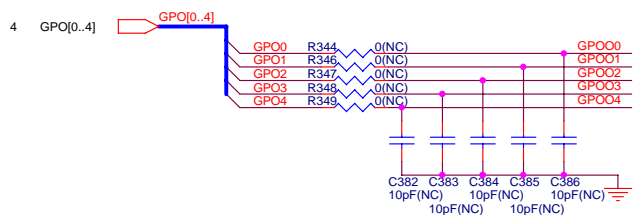
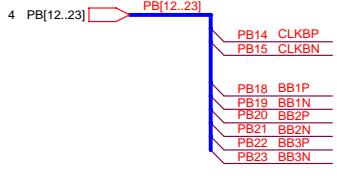
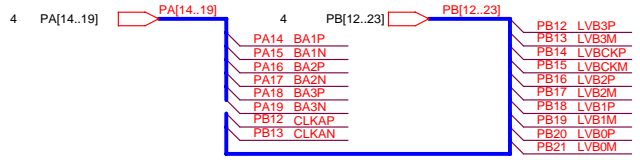
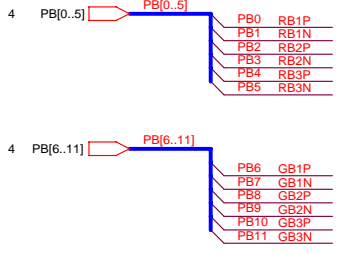
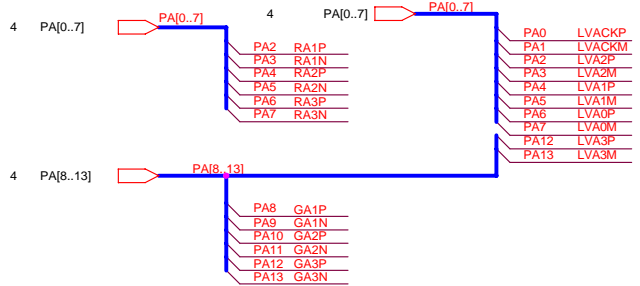
NOTE: IF IS 15" (XGA) PANEL, I305 IS SELECT MST8011B.
 NOTE: IF IS 17" (SXGA) PANEL, I305 IS SELECT MST8111B.



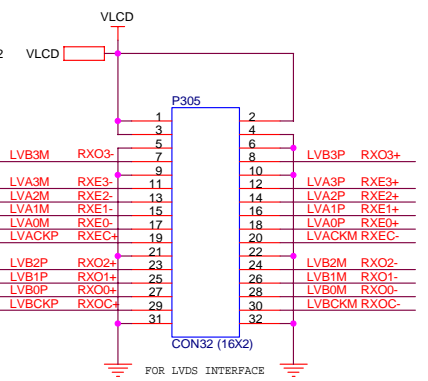
MST8111/8031B
 MST8116/8036B



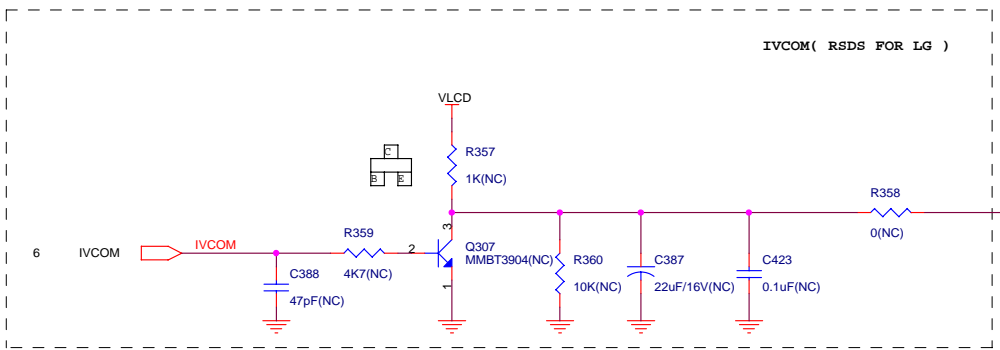
LITE-ON TECHNOLOGY CO.				Sheet: 5 of 8	Size: Custom
DRAWN:	Date:	DESIGN:	Date:	Title: M15_17AAX SCALER MST8111/6B	
CHECK:	Date:	CHECK:	Date:	DWG. NO: 8814680000-02	
APPRO:	Date:	APPRO:	Date:	PCB. NO: 6832146800-02	



AF730X-AXG1T(P-TWO)
FOR RSDS INTERFACE



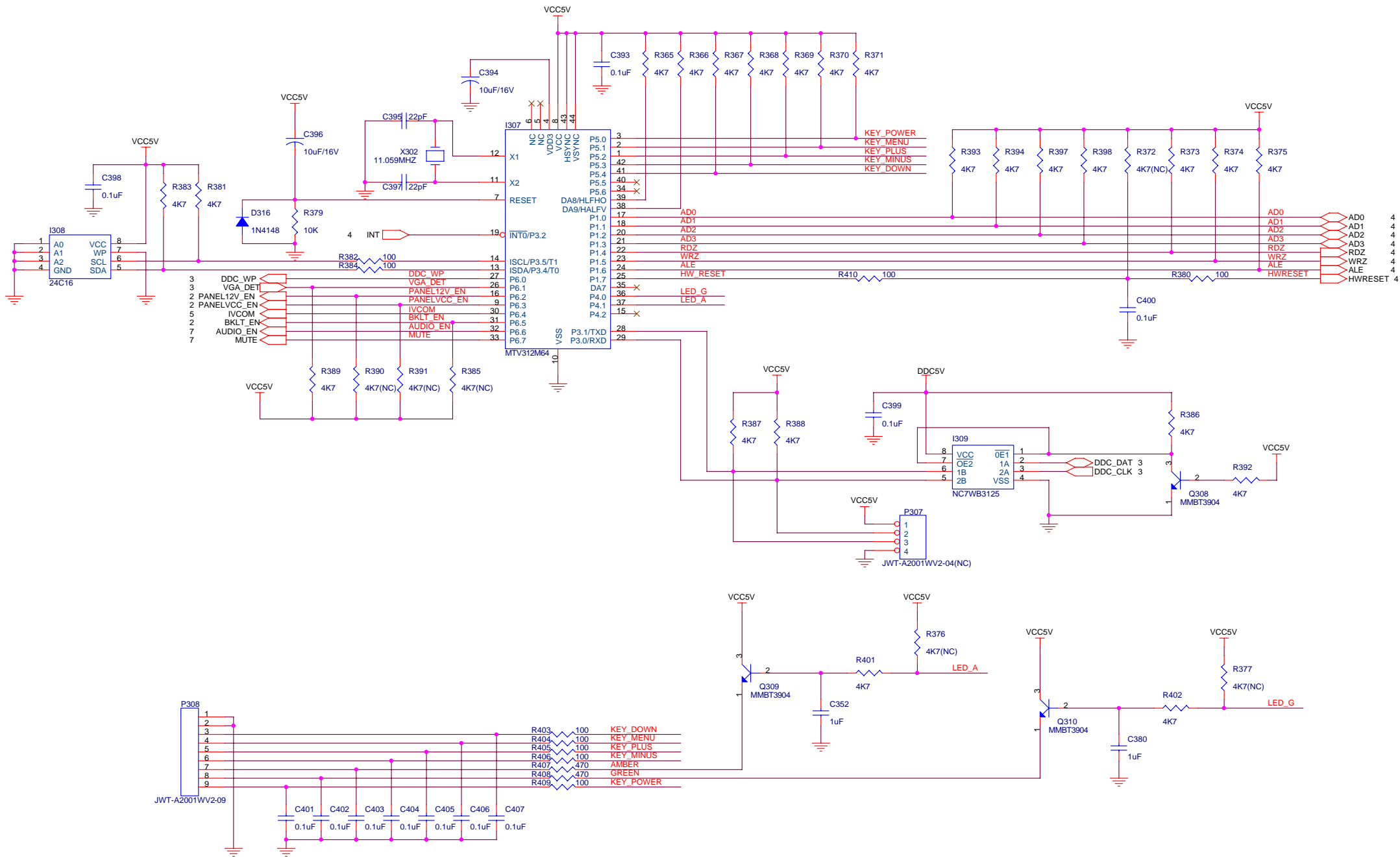
FOR LVDS INTERFACE
Note: Pin5 and Pin 10 are no pin header



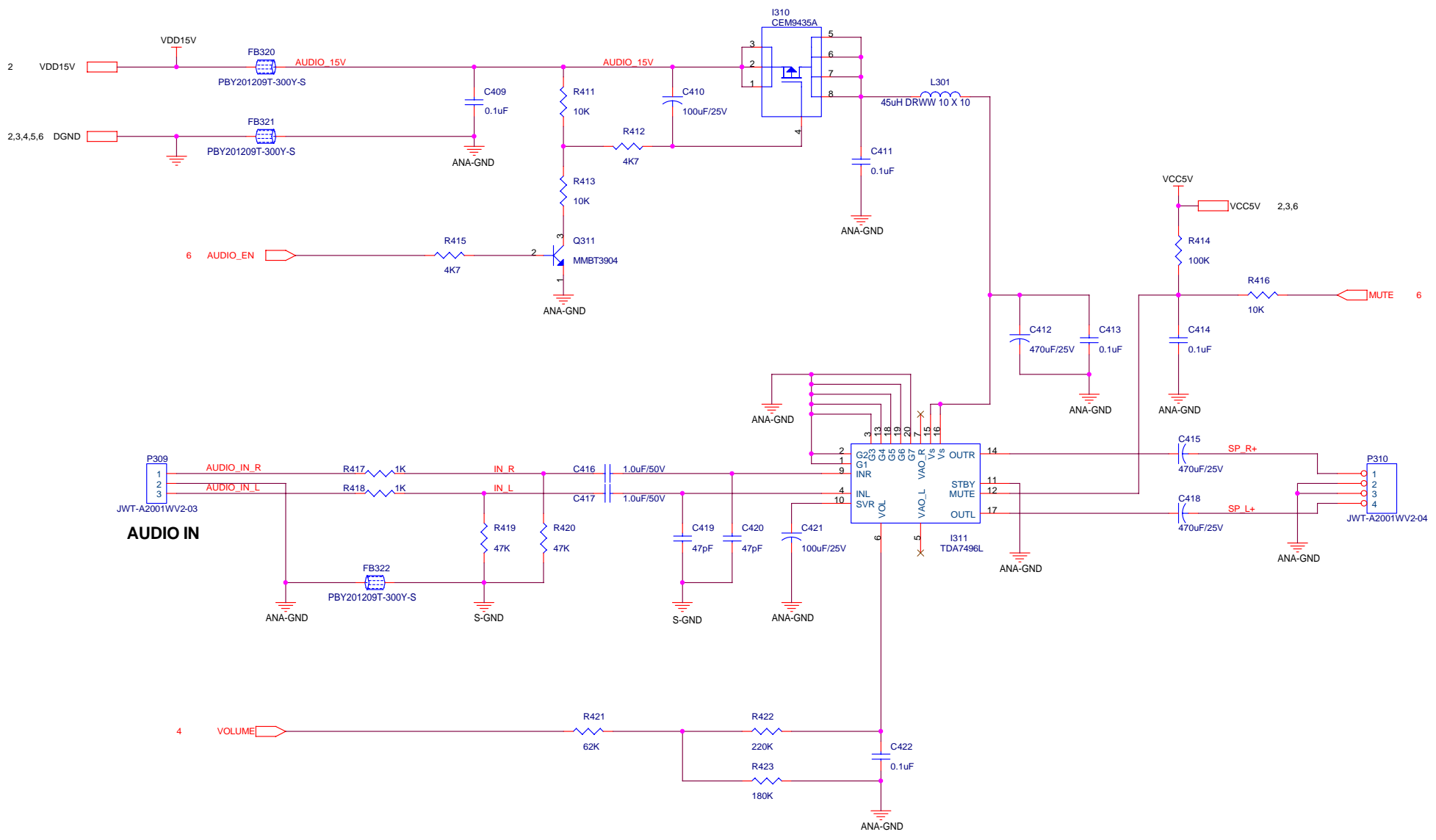
	R350	R351	R352	R353	R354	R355	R356	R358
AU 17	NC	NC	5V	5V	NC	5V	NC	NC
QDI 17	3.3V	12V	0R	0R	12V	0R	12V	0R
CPT 17	0R	0R	NC	NC	0R	NC	0R	NC
INNOLUX 15	3.3V	0R	3.3V	0R	NC	NC	NC	NC
HannsStar 15	3.3V	0R	3.3V	0R	12V	0R	NC	NC
CPT 15	0R	NC	0R	NC	0R	NC	NC	NC
LG 15	3.3V	0R	3.3V	0R	NC	NC	NC	0R

LITE-ON TECHNOLOGY CO. Sheet: 6 of 8 Size: Custom

DRAWN:	Date:	DESIGN:	Date:	Title: M15 17AAX PANEL INTERFACE
CHECK:	Date:	CHECK:	Date:	DWG.NO: 8814680000-02
APPRO:	Date:	APPRO:	Date:	PCB.NO: 6832146800-02



LITE-ON TECHNOLOGY CO.				Sheet: 7 of 8	Size: Custom
DRAWN:	Date:	DESIGN:	Date:	Title: M15_17AAX MCU	
CHECK:	Date:	CHECK:	Date:	DWG. NO: 8814680000-02	
APPRO:	Date:	APPRO:	Date:	PCB. NO: 6832146800-02	



LITE-ON TECHNOLOGY CO.				Sheet: 8 of 8	Size: Custom
DRAWN:	Date:	DESIGN:	Date:	Title: M15_17AAX AUDIO	
CHECK:	Date:	CHECK:	Date:	DWG.NO: 881468000-02	
APPRO:	Date:	APPRO:	Date:	PCB.NO: 6832146800-02	