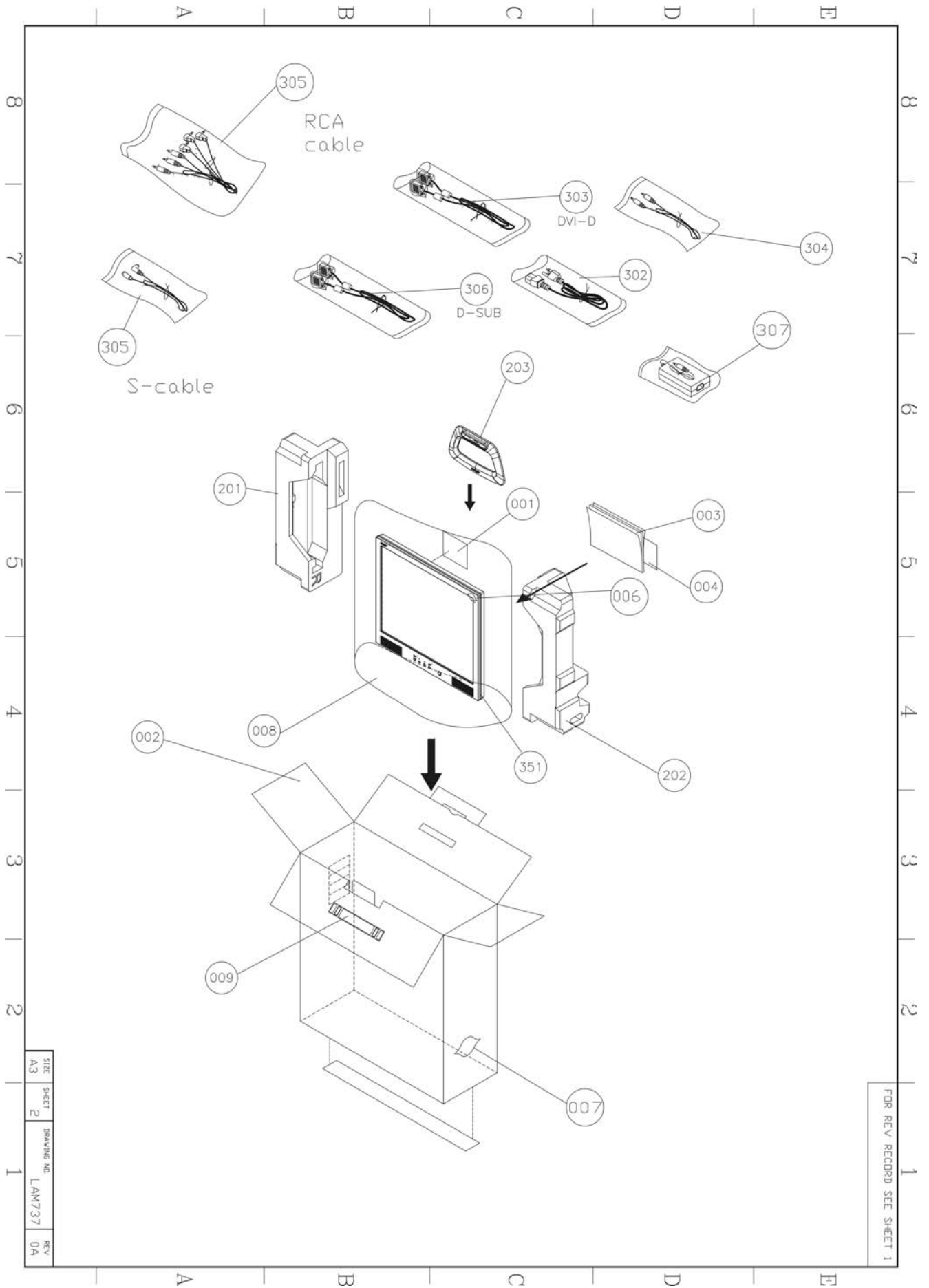


Appendix A: DISPLAY Assembly



FOR REV RECORD SEE SHEET 1

SIZE	SHEET	DRAWING NO.	REV
A3	2	LAM737	0A

13.1.11.4 Material List by Location

Date: 05/12/03
Time: 21:10:50

R/N:ydr6069j - D1H

=====

REV. 0A	QUANTITY	REQUIRED	DWG.NO. LAM737
C NO. PART NO. DESCRIPTION SPECIFICATION	-----		
	Y0		REMARKS
	001		

LAM737Y0001 LAM737Y ABO UR+TCO99 MSV16/MSV34/MBK17 HYD

1	GA050000400	POWER CORD SET	SP305X1.8MXIS14 SVT BLK	1	-	-	-	-	302
2	DC190021010	CB ASY	AM939 SIG LIMPID 1.8M DVI-DVI	1	-	-	-	-	303
3	DC190021020	CB ASY	AM939 AUDIO LIM 1.8M BLU-GRN	1	-	-	-	-	304
4	DC190021030	CB ASY	AM939 RCA LIM 1.8M V/T-R/A RWY	1	-	-	-	-	305
5	DC190021040	CB ASY	AM939 SIG LIMPID 1.8M BLUSCREW	1	-	-	-	-	306
6	PK10V000020	AC ADAP	LAE LAD6019AB5 12V/5A BLK 90D	1	-	-	-	-	307
7	DC190021050	CB ASY	AM939 S-CABLE BLK 1.8M V/T-R/A	1	-	-	-	-	308
8	58273030001	DIS UNIT ABO	LAM737Y TCO99 HYDIS 1280X1024	1	-	-	-	-	351
9	6800A430001	PACKING ABO-WW	LAM737Y TCO99 WG017	1	-	-	-	-	352
10	X66ANN30001	MEC PACKING ABO	LAM737Y MSV34	1	-	-	-	-	353

End of Report

13.1.11.4 Material List by Location

Date: 05/12/03
Time: 21:23:04

R/N:ydr6069j - D1H

=====

REV. 0A				QUANTITY	REQUIRED	DWG.NO. 582730
C NO.	PART NO.	DESCRIPTION	SPECIFICATION	-----		
				30		
				001		REMARKS

58273030001 DIS UNIT ABO LAM737Y TCO99 HYDIS 1280X1024

1	AC6V0000200	LCD MODU	HT17E12-200 17" (HYDIS)	1	-	-	-	-	301
2	DA3M737V010	FPC	AM737 VF-725 REV1	1	-	-	-	-	302
3	DC020155000	H-CON SET	AM939 KEY-AUDIO 5P	1	-	-	-	-	305
4	DC020155400	H-CON SET	AM939 CTRL-KEY 8P 170mm	1	-	-	-	-	308
5	CG10021V600	SPK SET	2W 1PK 4ohm 4020CH20 JS555HC-R	1	-	-	-	-	309
6	CG10021V610	SPK SET	2W 1PK 4ohm 4020CH20 JS555HC-L	1	-	-	-	-	310
7	NA200800200	NET SET	4.3DX80X4.3D 144C/.12 TUBE	2	-	-	-	-	311 311
8	FHAM9344000	GASKET	71GV-W8-H5-L08-13	2	-	-	-	-	312 312
9	FHCM8747000	GASKET	71TS7-3N-20	1	-	-	-	-	313
10	454AA030001	PCBA KEY/B	VK-903 LAM939F	1	-	-	-	-	351
11	455AA130001	PCBA POWER/B	VP-725 LAM737Y	1	-	-	-	-	352
12	461AA030021	FIRMWARE CTRL/B	VL-903 LAM737Y COMPAL	1	-	-	-	-	353
13	X66ANP30001	MEC PARTS ABO	LAM737Y TCO99MSV16/MSV34/MBK17	1	-	-	-	-	354

End of Report

13.1.11.4 Material List by Location

Date: 05/12/03
Time: 21:20:34

R/N: ydr6069j - D1H

=====

REV. 0A				QUANTITY	REQUIRED	DWG.NO. X66ANN
C NO.	PART NO.	DESCRIPTION	SPECIFICATION	-----		
				30		
				001		REMARKS

#	X66ANN30001	MEC PACKING ABO	LAM737Y MSV34			
1	FJAM7316000	EPS FOAM(L)	AM7316	1	- - -	- 201
2	FJAM7317000	EPS FOAM(R)	AM7317	1	- - -	- 202
3	EBAM732A000	STAND BASE ASSY	AM732A BASE+SCREW+MSV34	1	- - -	- 203

End of Report

Appendix B: P.C.B.A Assembly

New Product Family		
MODE	Video Support	Panel Support
AMP39	YES	FUJISU AU
AMP37	YES	Hydis

CONTENTS

SCHEMATIC Name	SHEET
Contents, Revision History	2
Top Level	3
4. Input Connectors	4
5. Video	5
6. Memory	6
7. Pw131	7
8. MSC	8
9. LVDS	9
10. Power	10
11. Audio	11

REVISION HISTORY

Date	Author	PCB Ver.	Comments
JAN 10/2003	Jack Nng	00	Initial Release.
JAN 26/2003	Jack Nng	0A	ADD PT2314
MAH 3/2003	Jack Nng	0B	Al pha Test
APL 4/2003	Jack Nng	0C	Beta Test
APL 28/2003	Jack Nng	1	PP Test

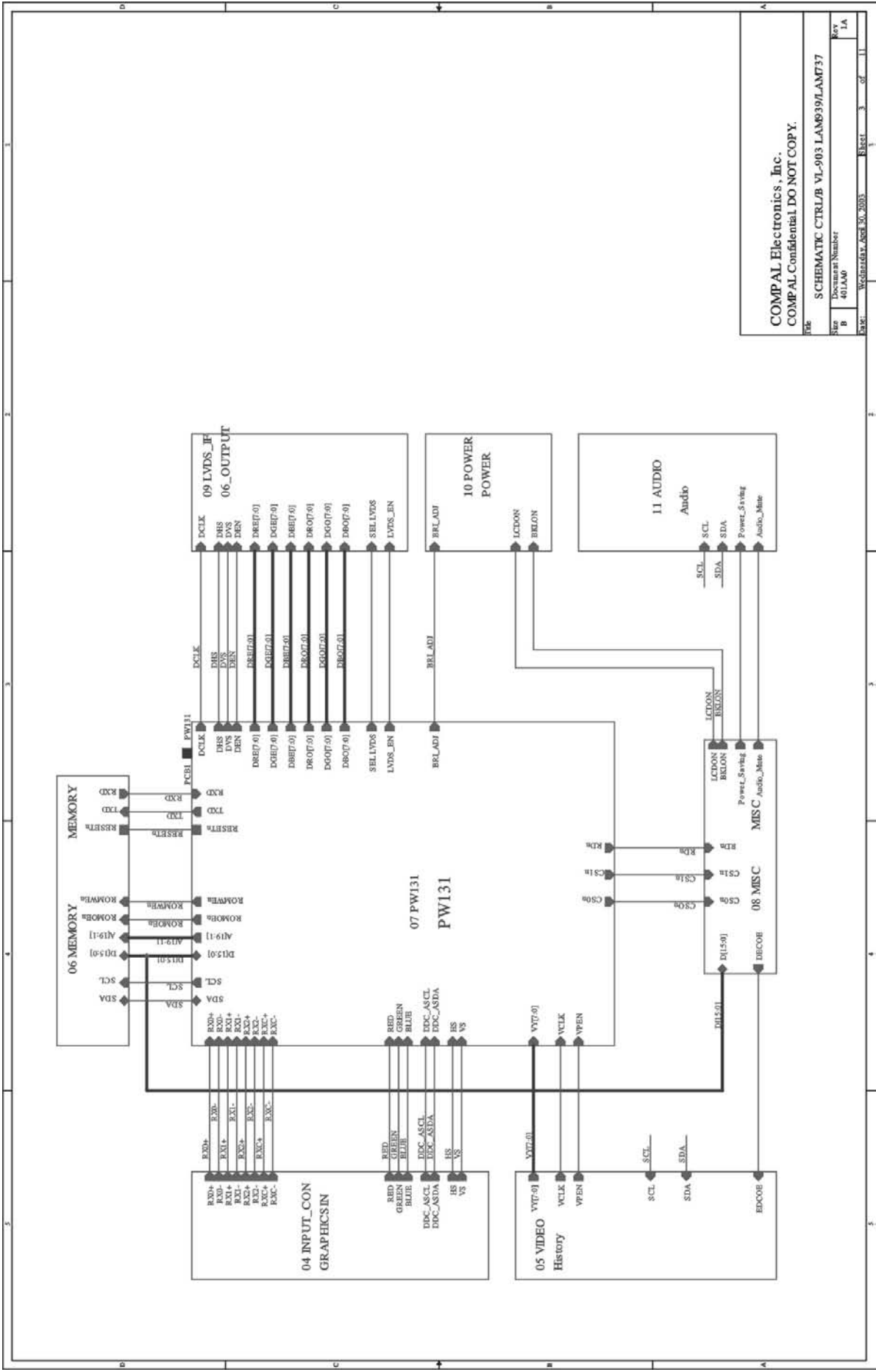
Approval	Organization	Signature	Date

COMPAL Electronics, Inc.
COMPAL Confidential. DO NOT COPY.

The SCHEMATIC CTRL/B VL-903 LAM039/LAM737

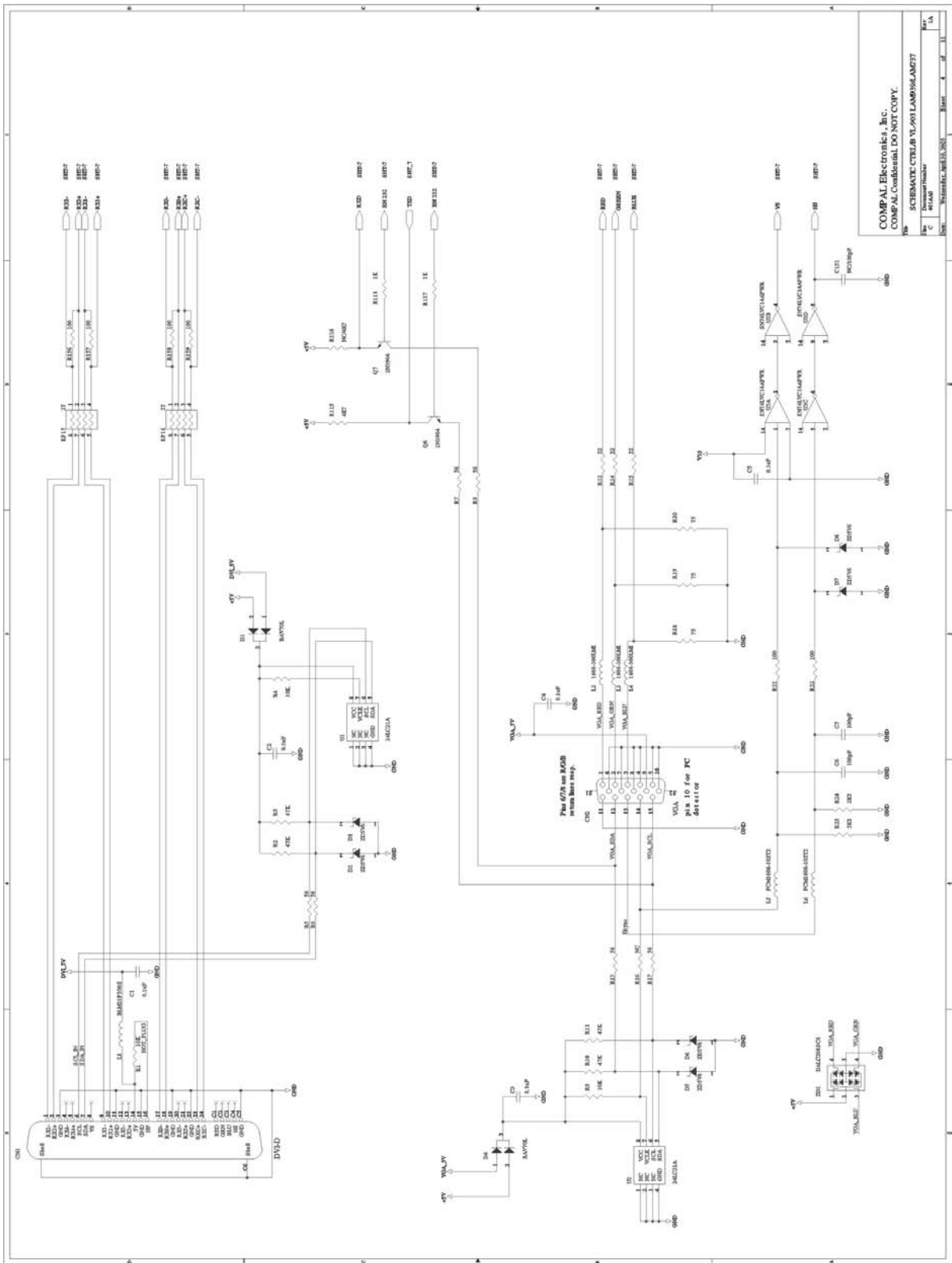
Size	Document Number	REV
B	401AA0	1A

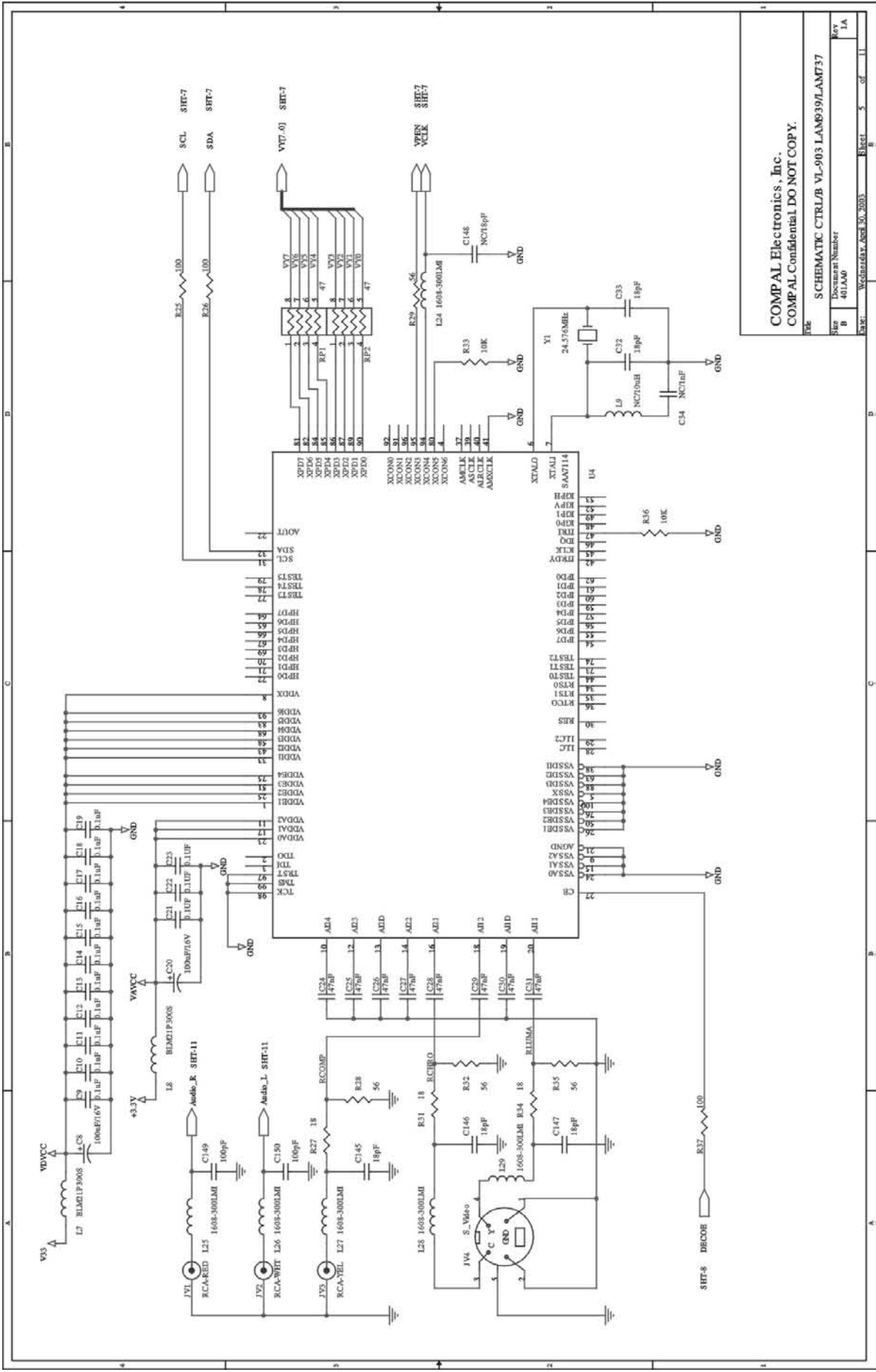
Rev: Wednesday, April 30, 2003 Sheet 2 of 11

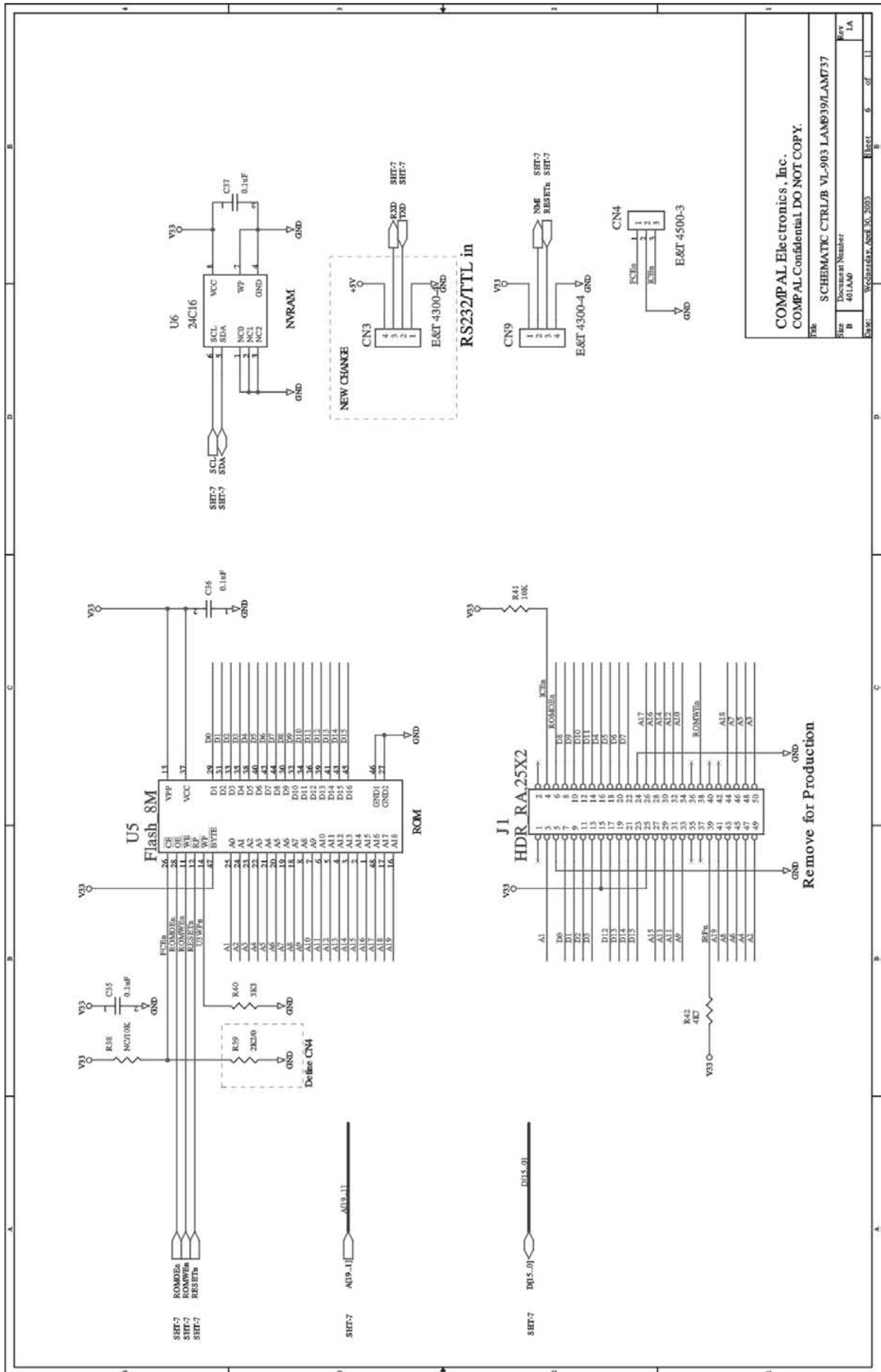


COMPAL Electronics, Inc.
 COMPAL Confidential DO NOT COPY.

File: SCHEMATIC CTRL/B VL-903 LAM939/LAM737
 Size: B Document Number: 401.A40
 Date: Wednesday, April 30, 2003 Sheet: 3 of 11







COMPAL Electronics, Inc.
 COMPAL Confidential DO NOT COPY.

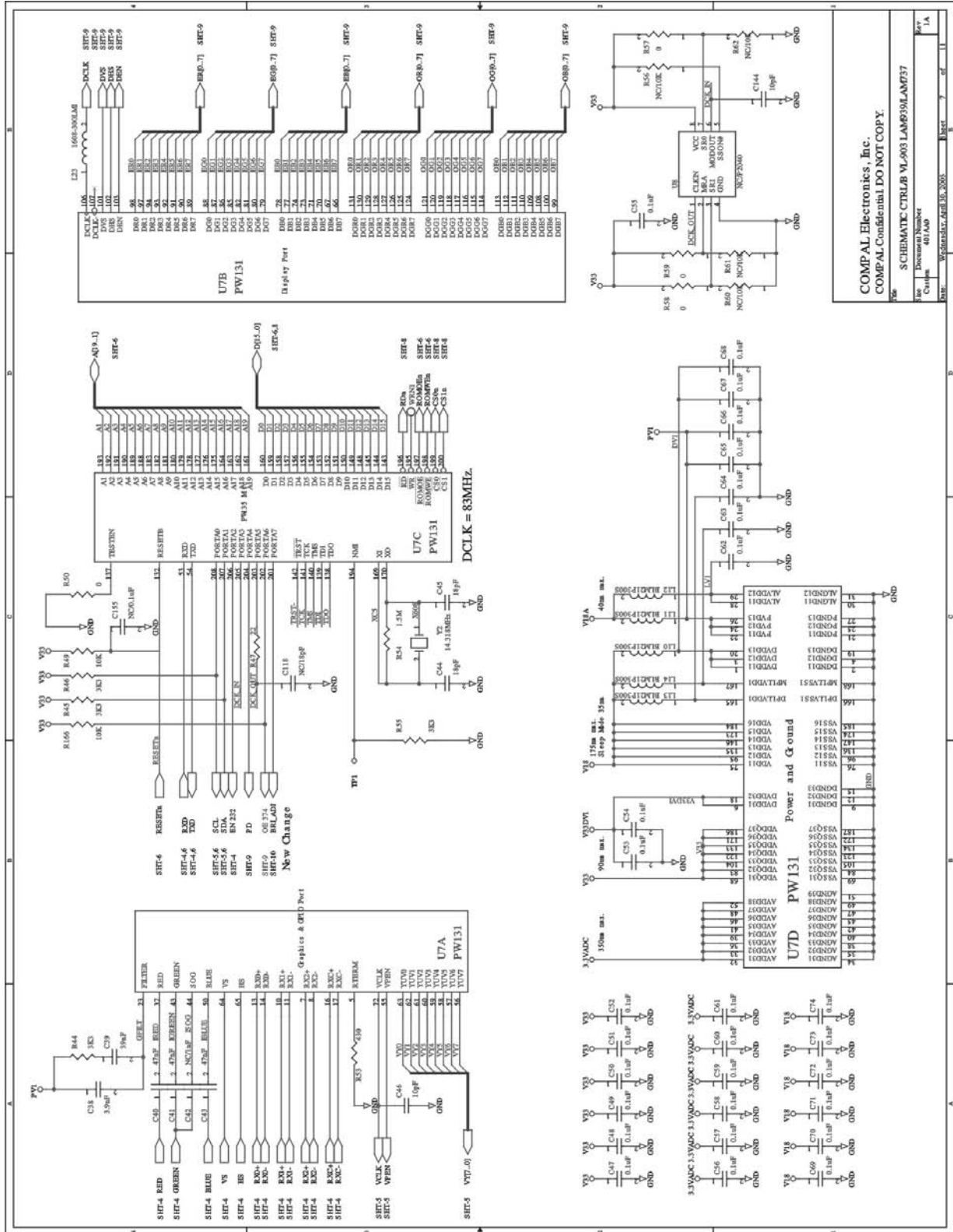
Doc: Schematic CTRL/B VL-903 LAM939/LAM737

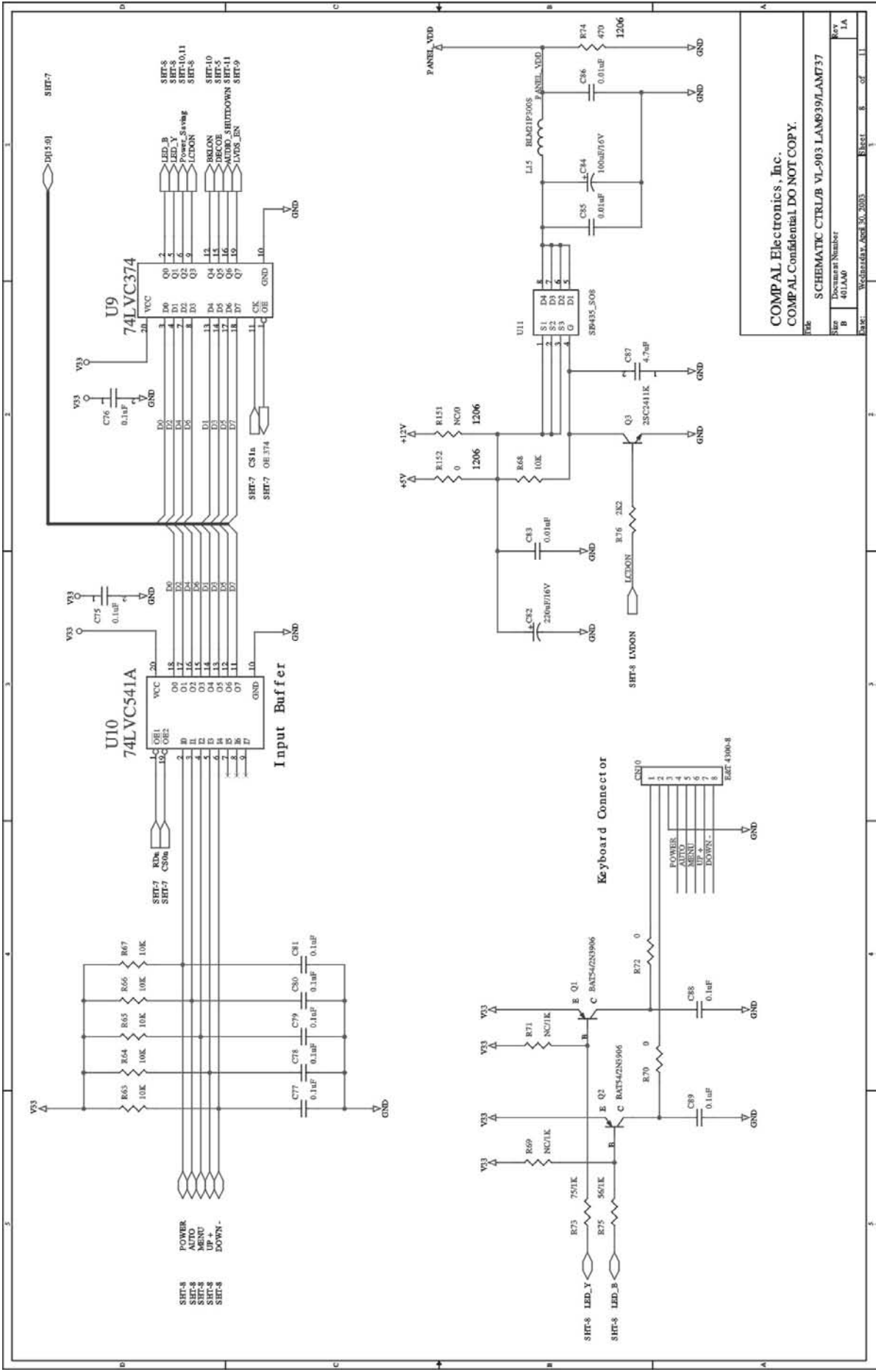
Star: Document Number 401A00

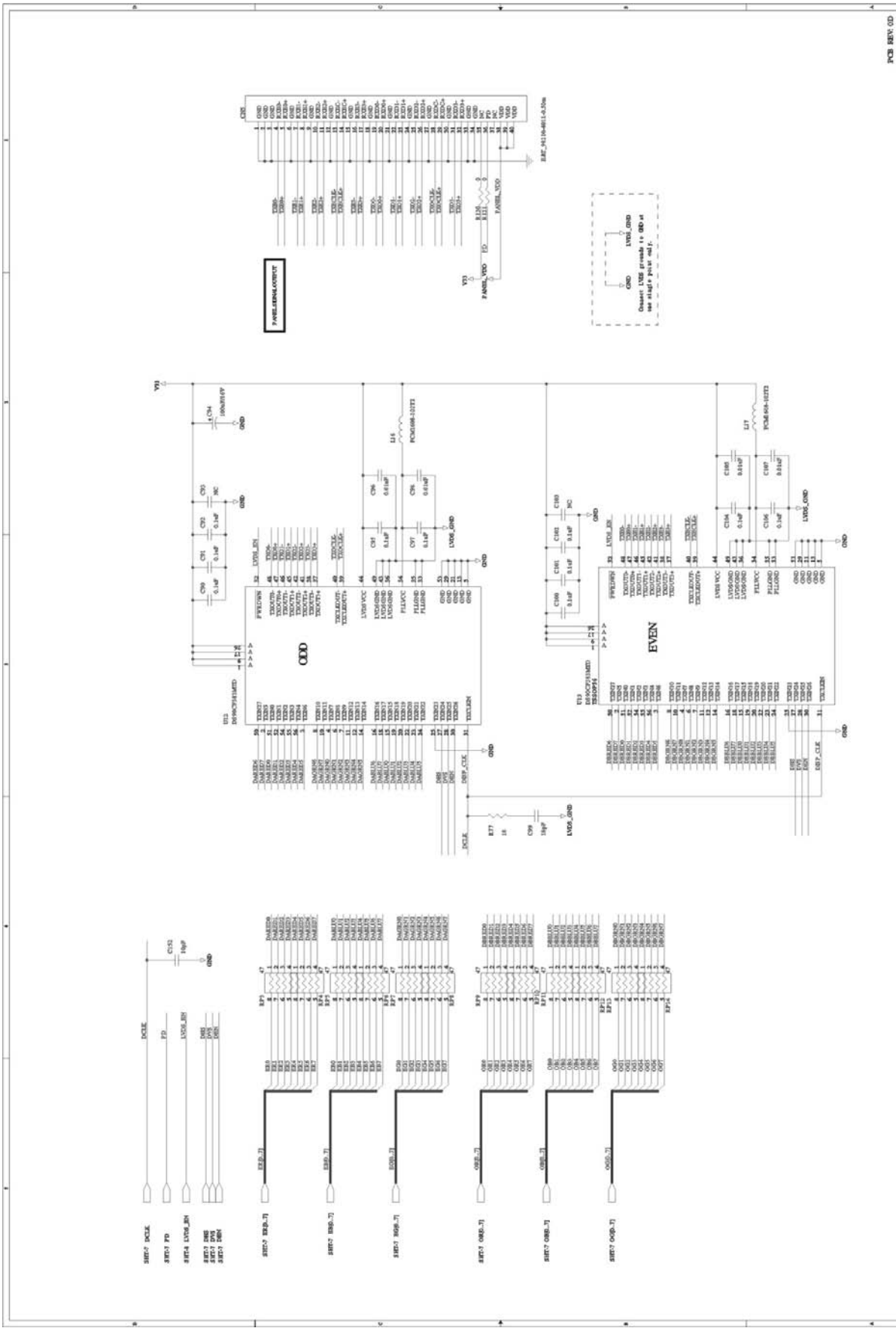
Rev: 1A

Date: Wednesday, April 30, 2003

Sheet: 6 of 11



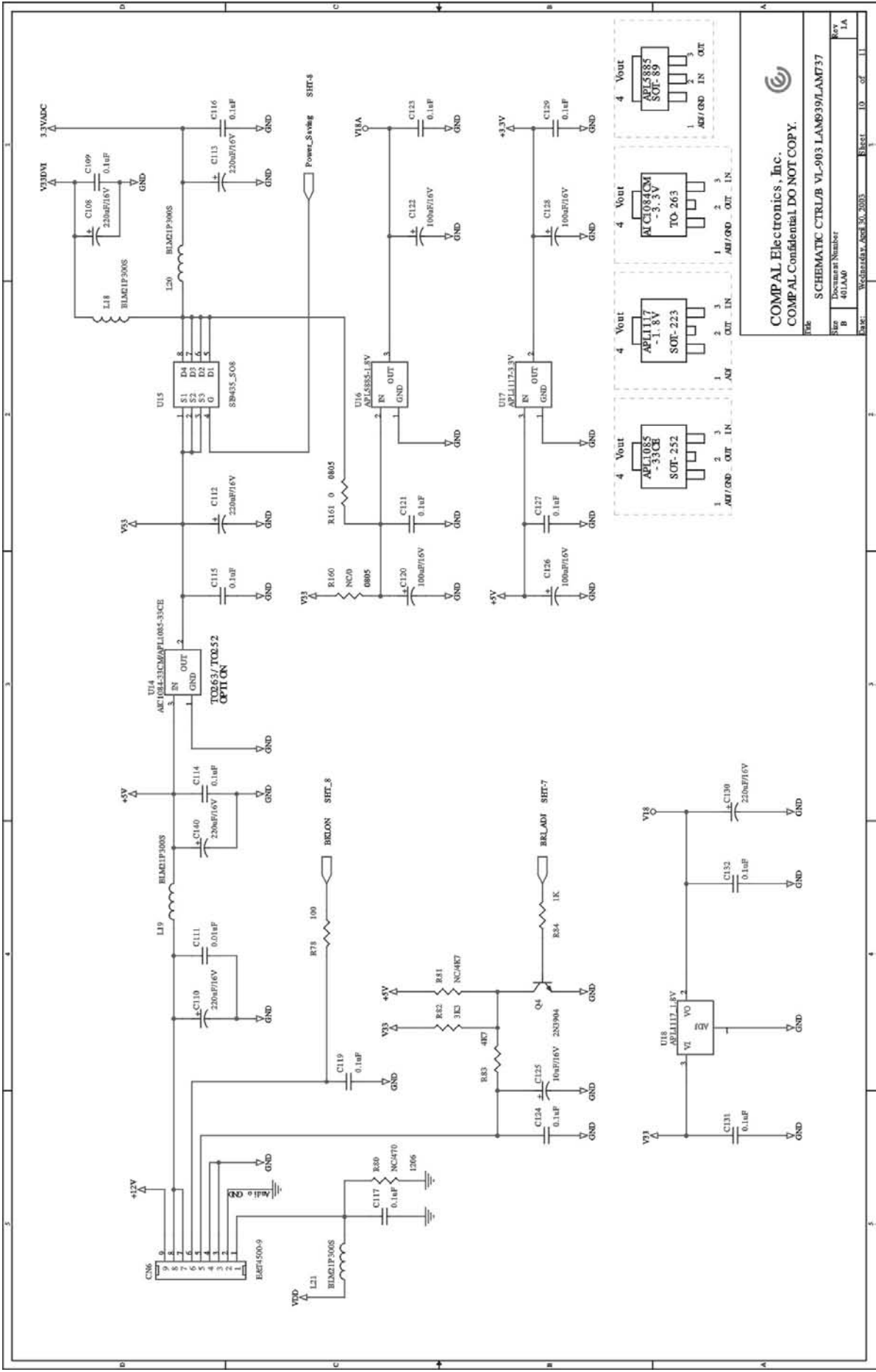




PCB REV. 00

COMPAL Electronics, Inc.
 COMPAL Confidential DO NOT COPY.

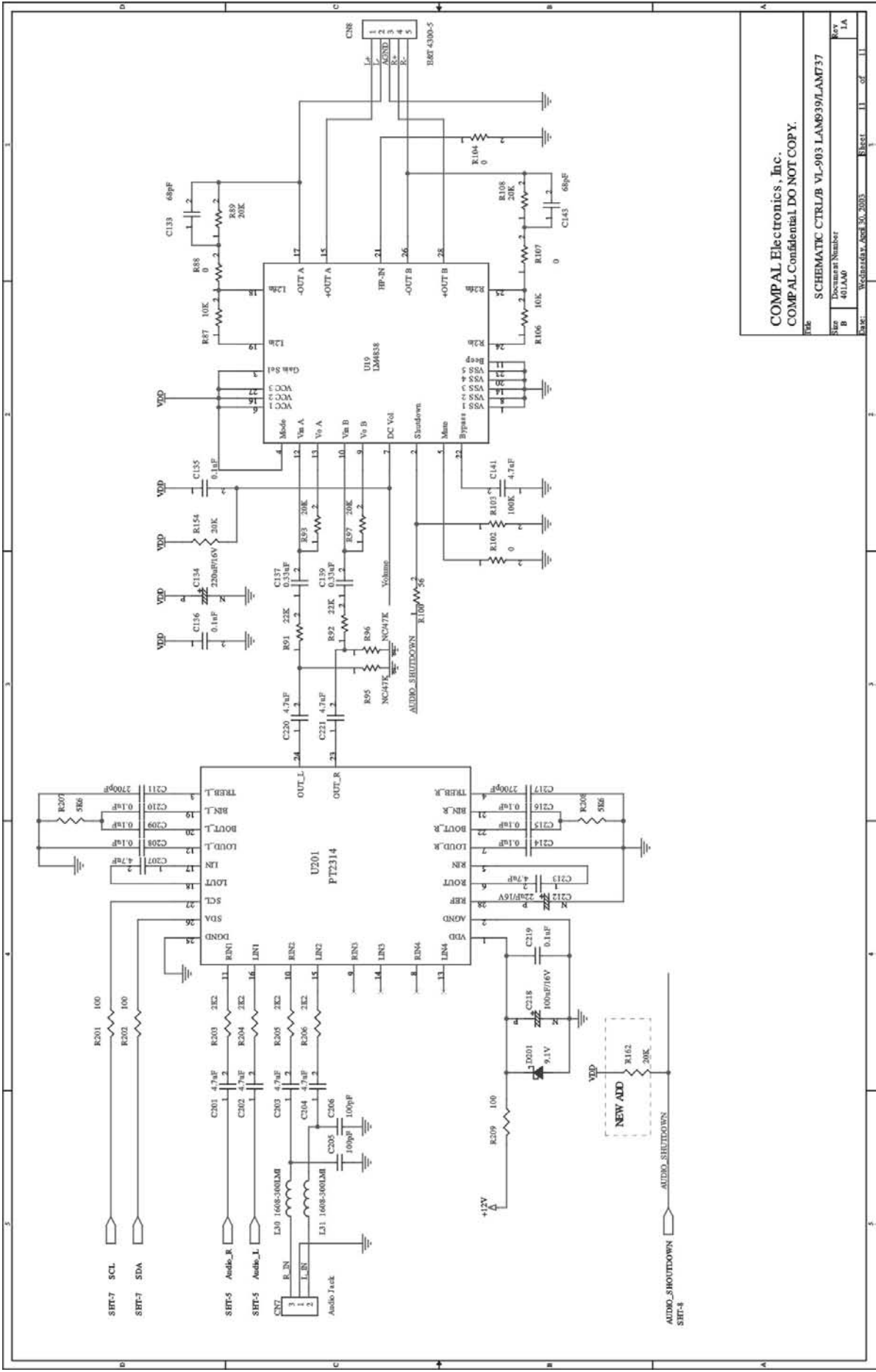
SCHMATIC CTRL#8 V-001 LAMB99MLM037
 Rev. 1.1
 3 of 11



COMPAL Electronics, Inc.
 COMPAL Confidential DO NOT COPY.

FILE: SCHEMATIC CTRL/B VL-903 LAM939/LAM737

Size	Document Number	Rev
B	401.AA0	1.A
DATE:	Wednesday, April 30, 2003	Sheet 10 of 11



COMPAL Electronics, Inc.
 COMPAL Confidential DO NOT COPY.

FILE: SCHEMATIC CTRL/B VL-903 LAM8939/LAM737
 Size: B
 Document Number: 401JAO
 Date: Wed Mar 07, 2007 11:11
 Rev: 1A

13.1.11 Material List by Parts-no

Date: 05/12/03
Time: 21:35:34

R/N:ydr6068j - D1H

=====

REV. 0B				QUANTITY	REQUIRED	DWG.NO. 461AA0
C NO.	PART NO.	DESCRIPTION	SPECIFICATION	-----		
				30	30	
				001	021	REMARKS

461AA030001 FIRMWARE CTRL/B VL-903 LAM939F ABO
461AA030021 FIRMWARE CTRL/B VL-903 LAM737Y COMPAL

1	451AA030001	PCBA CTRL/B	VL-903 LAM939F	1	1	-	-	-	ZZZ
2	BEAM737Y000	EDID	EDID AM737YABO-0.DAT	-	1	-	-	-	ZZZ
3	BEAM939F000	EDID	EDID AM393FABO-0.DAT	1	-	-	-	-	ZZZ
4	BFAM73Y0000	FIRMWARE	FW AM737Y V1.00AY	-	1	-	-	-	ZZZ
5	BFAM93F0000	FIRMWARE	FW AM939F V1.00AF	1	-	-	-	-	ZZZ

End of Report

13.1.11 Material List by Parts-no

Date: 05/27/03
Time: 10:38:58

R/N:ydr6068j - D1H

=====				QUANTITY REQUIRED			DWG.NO. 451AA0							
REV. 1A				-----										
C NO.	PART NO.	DESCRIPTION	SPECIFICATION	30 001	30 011	30 021	REMARKS							
-----				-----										
# 451AA030001	PCBA CTRL/B		VL-903 LAM939F	1A										
# 451AA030011	PCBA CTRL/B		VL-903 LAM939S		1A									
# 451AA030021	PCBA CTRL/B		VL-903 LAM737Y											
1	431AA030001	SMT CTRL/B	VL-903 LAM939F	1	-	-	-	-	-	-	-	-	-	-
2	431AA030011	SMT CTRL/B	VL-903 LAM939S	-	1	-	-	-	-	-	-	-	-	-
3	431AA030021	SMT CTRL/B	VL-903 LAM737Y	-	-	1	-	-	-	-	-	-	-	-
4	BD114P3M020	CRTSTAL	14.31818MHZ HC-49/S +-30PPM 20	1	1	1	-	-	-	-	-	-	-	-
5	BD124P57010	CRYSTAL	24.576MHZ HC-49/US +-20PPM 18P	1	1	1	-	-	-	-	-	-	-	-
6	CB01003M120	ELE CAP	10U 16V M A P1.5 L3.5 4X7	1	1	1	-	-	-	-	-	-	-	-
7	CB02203M210	ELE CAP	22U 16V M A P1.5 L3.5 4X7	1	1	1	-	-	-	-	-	-	-	-
8	CB100034C10	ELE CAP	100U 16V M A P2.5 L3.5 6X7	9	9	9	-	-	-	-	-	-	-	-
							-	-	-	-	-	-	-	-
9	CB22003M210	ELE CAP	220U 16V M A P3.5L3.5 8X7	8	8	8	-	-	-	-	-	-	-	-
							-	-	-	-	-	-	-	-
10	DC03E000300	WAFER CONN.	E&T 96113-0803 8P P1.25	1	1	1	-	-	-	-	-	-	-	-
11	DC03E0026B0	WAFER	E&T 4500-09 9P P2.0	1	1	1	-	-	-	-	-	-	-	-
12	DC03E003150	WAFER	E&T 4300-05 5P P1.25	1	1	1	-	-	-	-	-	-	-	-
13	DC060014050	D-CONN	24P FEMALE QH0112X-DXX V/TDVID	1	1	1	-	-	-	-	-	-	-	-
*	14	DC060015100	D-CONN	15P FEMALE DHST-15UYTT 180D	1	1	1	-	-	-	-	-	-	-
15	DC230000300	CONN (ST)	SC SCN-570-4P V/T BLK 4PIN	1	1	1	-	-	-	-	-	-	-	-
16	DC230304500	CONN	SC SCJ364P00XS0U04 V/T BLU 3P	1	1	1	-	-	-	-	-	-	-	-
17	DC232100300	CONN.	SC SCP606UNT4T0000 V/T RCA YEL	1	1	1	-	-	-	-	-	-	-	-
18	DC232100310	CONN.	SC SCP606UNT3T0000 V/T RCA WHT	1	1	1	-	-	-	-	-	-	-	-
19	DC232100320	CONN.	SC SCP606UNT2T0000 V/T RCA RED	1	1	1	-	-	-	-	-	-	-	-

13.1.11 Material List by Parts-no

Date: 05/27/03
Time: 10:38:59

R/N: ydr6068j - D1H

=====				QUANTITY REQUIRED			DWG.NO. 451AA0										
REV. 1A				-----													
C NO.	PART NO.	DESCRIPTION	SPECIFICATION	30	30	30											
-----				001	011	021	REMARKS										
	# 431AA030001	SMT CTRL/B	VL-903 LAM939F														
	# 431AA030011	SMT CTRL/B	VL-903 LAM939S														
	# 431AA030021	SMT CTRL/B	VL-903 LAM737Y														
*	1	DA4M939V010 PCB	AM939 VL-903 REV1	1	1	1	-	-	ZZZ								
	2	SA001310000 S IC	PW131 PQFP-208 ZOOM SCALER	1	1	1	-	-	U7								
	3	SA010840210 SM IC	AIC 1084-33CM TO263 REG 3.3V	1	1	1	-	-	U14								
	4	SA011170210 S IC	APL1117-1.8V SOT223	1	1	1	-	-	U18								
	5	SA011170300 S IC	APL1117-33VC-TR SOT-223 3.3V	1	1	1	-	-	U17								
	6	SA020400000 S IC	P2040C-08SR SOP-8	1	1	1	-	-	U8								
	7	SA023140000 S IC	PT2314 SOP28 AUDIO DECODER	1	1	1	-	-	U201								
	8	SA024160008 SM IC	EE 16K SO-8 C	1	1	1	-	-	U6								
	9	SA024210300 SM IC	EE 128X8 SOP-8 24LC21A	2	2	2	-	-	U1	U2							
	10	SA048380000 SM IC	LM4838 TSSOP-28 AUDIO	1	1	1	-	-	U19								
	11	SA058850000 S IC	APL5885-1.8V SOT89	1	1	1	-	-	U16								
	12	SA071140000 S IC	SAA7114H LQFP-100 VIDEO DECODE	1	1	1	-	-	U4								
	13	SA071810000 S IC	NT7181F TSSOP-56L LVDS	2	2	2	-	-	U12	U13							
	14	SA074140400 SM IC	SN74LVC14 SOP-14 INV.	1	1	1	-	-	U3								
	15	SA298000000 S IC	MBM29LV800BA-90PFTN FLASH FUJI	1	1	1	-	-	U5								
	16	SA743740000 S IC	74LVC374APN TSSOP-20	1	1	1	-	-	U9								
	17	SA745410100 S IC	LVC74541 TSSOP-20	1	1	1	-	-	U10								
	18	SB0390400T5 SM TRANSISTOR	MMBT3904 (SOT-23)	3	3	3	-	-	Q4	Q6	Q7						
	19	SB3241100T8 SM TRANSISTOR	2SC2411K (SOT-23)	1	1	1	-	-	Q3								
	20	SBX94350109 SM TRANSISTOR	SI9435 (SO-8)	2	2	2	-	-	U11	U15							
	21	SC1LC208000 S DIO	DALC208SC6 SOT23-6L ESD	1	1	1	-	-	ZD1								
	22	SC4LZ56B0T5 SM ZENER DIODE	RLZ5.6B (LL-34)	6	6	6	-	-	D2	D3	D5	D6	D7				
D8	23	SC4LZ91B000 S ZEN DIO	RLZ9.1B LL-34	1	1	1	-	-	D201								
	24	SCSBAT54000 SM SCHOTTKY DIODE	BAT54 SOT-23 DOUBLE	2	2	2	-	-	Q1	Q2							
	25	SCSBAT54300 S SCH DIO	BAT54C SOT-23 PANJIT	2	2	2	-	-	D1	D4							
*	26	SD0010000T4 CHIP RES.	1/8W 0 +5% 1206	1	1	1	-	-	R152								
	27	SD0011000T9 CHIP RES.	1/8W 100 +5% 1206	1	1	1	-	-	R209								
	28	SD0014700T1 CHIP RES.	1/8W 470 +5% 1206	S7	1	1	1	-	R74								
	29	SD0020000T8 CHIP RES.	1/10W 0 +5% 0805	1	1	1	-	-	R161								
	30	SD0130000T4 CHIP RES.	1/16W 0 +5% 0603	12	12	12	-	-	R102	R104	R107	R120	R121	R50			
									R57	R58	R59	R70	R72	R88			
*	31	SD0131000T9 CHIP RES.	1/16W 100 +5% 0603	S9	12	12	12	-	R13	R17	R201	R202	R21	R22			
									R25	R26	R37	R7	R78	R8			
	32	SD0131001T6 CHIP RES.	1/16W 1K +5% 0603	S9	3	3	3	-	R117	R118	R84						
	33	SD0131002T3 CHIP RES.	1/16W 10K +5% 0603	S9	15	15	15	-	R1	R106	R33	R36	R4	R41			
									R49	R63	R64	R65	R66	R67			
									R68	R87	R9						
	34	SD0131003T1 CHIP RES.	1/16W 100K +5% 0603	S9	1	1	1	-	R103								
	35	SD013150401 CHIP RES.	1/16W 1.5M +5% 0603	S9	1	1	1	-	R54								
	36	SD013180A09 CHIP RES.	1/16W 18 +5% 0603	4	4	4	-	-	R27	R31	R34	R77					

13.1.11 Material List by Parts-no

Date: 05/27/03
Time: 10:38:59

R/N:ydr6068j - D1H

REV. 1A				QUANTITY REQUIRED			DWG.NO. 451AA0										
C NO.	PART NO.	DESCRIPTION	SPECIFICATION	30 001	30 011	30 021	REMARKS										
*	37	SD0132002T8	CHIP RES.	1/16W	20K	+5%	0603	S9	6	6	6	-R108	R154	R162	R89	R93	R97
	38	SD0132201T1	CHIP RES.	1/16W	2.2K	+5%	0603	S9	8	8	8	-R203	R204	R205	R206	R23	R24
												R39	R76				
	39	SD0133301T1	CHIP RES.	1/16W	3.3K	+5%	0603	S9	6	6	6	-R40	R44	R45	R46	R55	R82
	40	SD013430000	CHIP RES.	1/16W	430	+5%	0603		1	1	1	-R53					
	41	SD0134701T8	CHIP RES.	1/16W	4.7K	+5%	0603	S9	4	4	4	-R115	R166	R42	R83		
	42	SD0134702T5	CHIP RES.	1/16W	47K	+5%	0603	S9	4	4	4	-R10	R11	R2	R3		
	43	SD0135601T7	CHIP RES.	1/16W	5.6K	+5%	0603	S9	2	2	2	-R207	R208				
*	44	SD013750AT3	CHIP RES.	1/16W	75	+5%	0603	S9	8	8	8	-R156	R157	R158	R159	R18	R19
												R20	R73				
*	45	SD014150201	CHIP RES.	1/16W	15K	+1%	0603	S9	2	2	2	-R91	R92				
	46	SD014220AT8	CHIP RES.	1/16W	22	+1%	0603		4	4	4	-R12	R14	R15	R47		
*	47	SD014560A00	CHIP RES.	1/16W	56	+1%	0603		8	8	8	-R100	R28	R29	R32	R35	R5
												R6	R75				
	48	SD302270A00	CHIP NETWORK RES.	1/16W	27	+5%	8P-4R		2	2	2	-RP15	RP16				
	49	SD302470A06	CHIP NETWORK RES.	1/16W	47	+5%	8P-4R	SA	14	14	14	-RP1	RP10	RP11	RP12	RP13	RP14
												RP2	RP3	RP4	RP5	RP6	RP7
												RP8	RP9				
	50	SE024100FT1	CHIP CERAMIC CAP.	10P	50V	+1PF	NPO 0603	S8	4	4	4	-C144	C148	C152	C46		
	51	SE024101JT8	CHIP CERAMIC CAP.	100P	50V	+5%	NPO 0603	S8	6	6	6	-C149	C150	C205	C206	C6	C7
	52	SE024180Z01	CHIP CERAMIC CAP.	18P	50V	Z	NPO 0603		8	8	8	-C145	C146	C147	C32	C33	C44
												C45	C99				
	53	SE024680JT8	CHIP CERAMIC CAP.	68P	50V	+5%	NPO 0603	S8	2	2	2	-C133	C143				
	54	SE025103KT4	CHIP CERAMIC CAP.	.01U	50V	+10%	X7R 0603	S8	8	8	8	-C105	C107	C111	C83	C85	C86
												C96	C98				
	55	SE025272K07	CHIP CERAMIC CAP.	2700P	50V	K	X7R 0603	S8	2	2	2	-C211	C217				
	56	SE025392K00	CHIP CERAMIC CAP.	3900P	50V	K	X7R 0603		1	1	1	-C38					
	57	SE026393K00	CHIP CERAMIC CAP.	.039U	16V	K	X7R 0603		1	1	1	-C39					
	58	SE026473K06	CHIP CERAMIC CAP.	.047U	16V	K	X7R 0603	S8	11	11	11	-C24	C25	C26	C27	C28	C29
												C30	C31	C40	C41	C43	
	59	SE027104NT0	CHIP CERAMIC CAP.	.1U	16V	-20+80%	Y5V 0603	S8	91	91	91	-C1	C10	C100	C101	C102	C104
												C106	C109	C11	C114	C115	C116
												C117	C119	C12	C121	C123	C124
												C127	C129	C13	C131	C132	C135
												C136	C14	C15	C16	C17	C18
												C19	C2	C208	C209	C21	C210
												C214	C215	C216	C219	C22	C23
												C3	C35	C36	C37	C4	C47
												C48	C49	C5	C50	C51	C52
												C53	C54	C55	C56	C57	C58
												C59	C60	C61	C62	C63	C64
												C65	C66	C67	C68	C69	C70
												C71	C72	C73	C74	C75	C76
												C77	C78	C79	C80	C81	C88
												C89	C9	C90	C91	C92	C95
												C97					
	60	SE053475Z05	CHIP CERAMIC CAP.	4.7U	10V	Z	Y5V 0805		10	10	10	-C141	C201	C202	C203	C204	C207
												C213	C220	C221	C87		

13.1.11 Material List by Parts-no

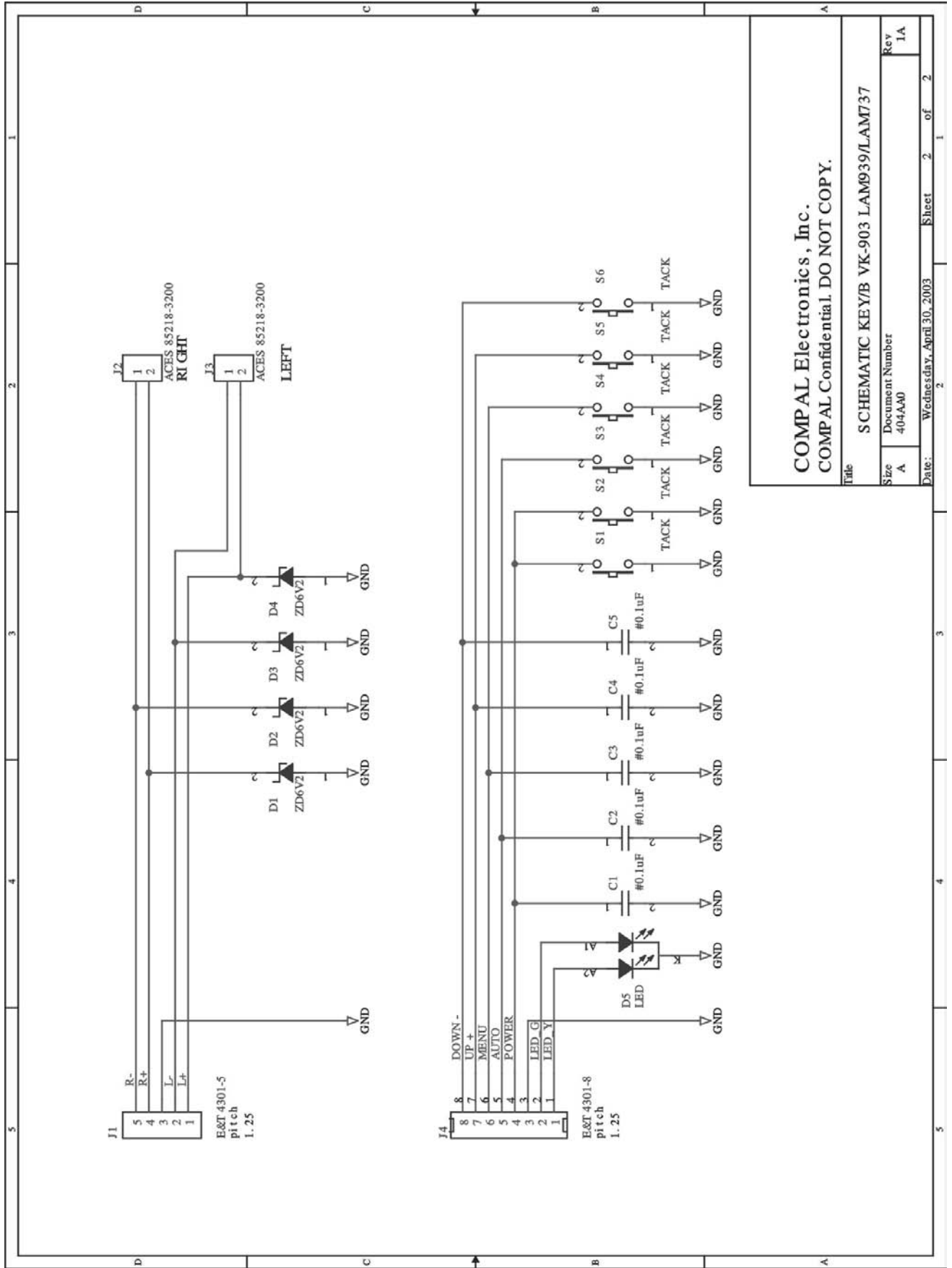
Date: 05/27/03
Time: 10:38:59

R/N:ydr6068j - D1H

```

=====
=====
REV. 1A
C NO. PART NO. DESCRIPTION SPECIFICATION QUANTITY REQUIRED DWG.NO. 451AA0
          30 30 30
          001 011 021
          REMARKS
-----
61 SE092334K00 S CER CAP .33U 10V +-10% X7R 0805 2 2 2 - - C137 C139
62 SM010013700 S SUPPRE TAI-TECH FCM1608K-102T02 0603 4 4 4 - - L16 L17 L5 L6
63 SM010017500 S SUPPRE KC FBM-L10-160808-300LMI 1608 12 12 12 - - L2 L23 L24 L25 L26 L27
          L28 L29 L3 L30 L31 L4
64 SM01V000200 S SUPPRE_ STEWARD HI0805N310R-00 (0805) 13 13 13 -- L1 L10 L11 L12 L13 L14
          L15 L18 L19 L20 L21 L7
          L8
65 SP02E002100 S W-CONN E&T 98210-4011 40P 1 1 1 - - CN5
    
```

End of Report



COMPAL Electronics, Inc.
COMPAL Confidential. DO NOT COPY.

Title		SCHEMATIC KEY/B VK-903 LAM939/LAM737	
Size	Document Number	Rev	
A	404AAM	1A	
Date:	Wednesday, April 30, 2003	Sheet	2 of 2

13.1.11 Material List by Parts-no

Date: 05/27/03
Time: 10:39:39

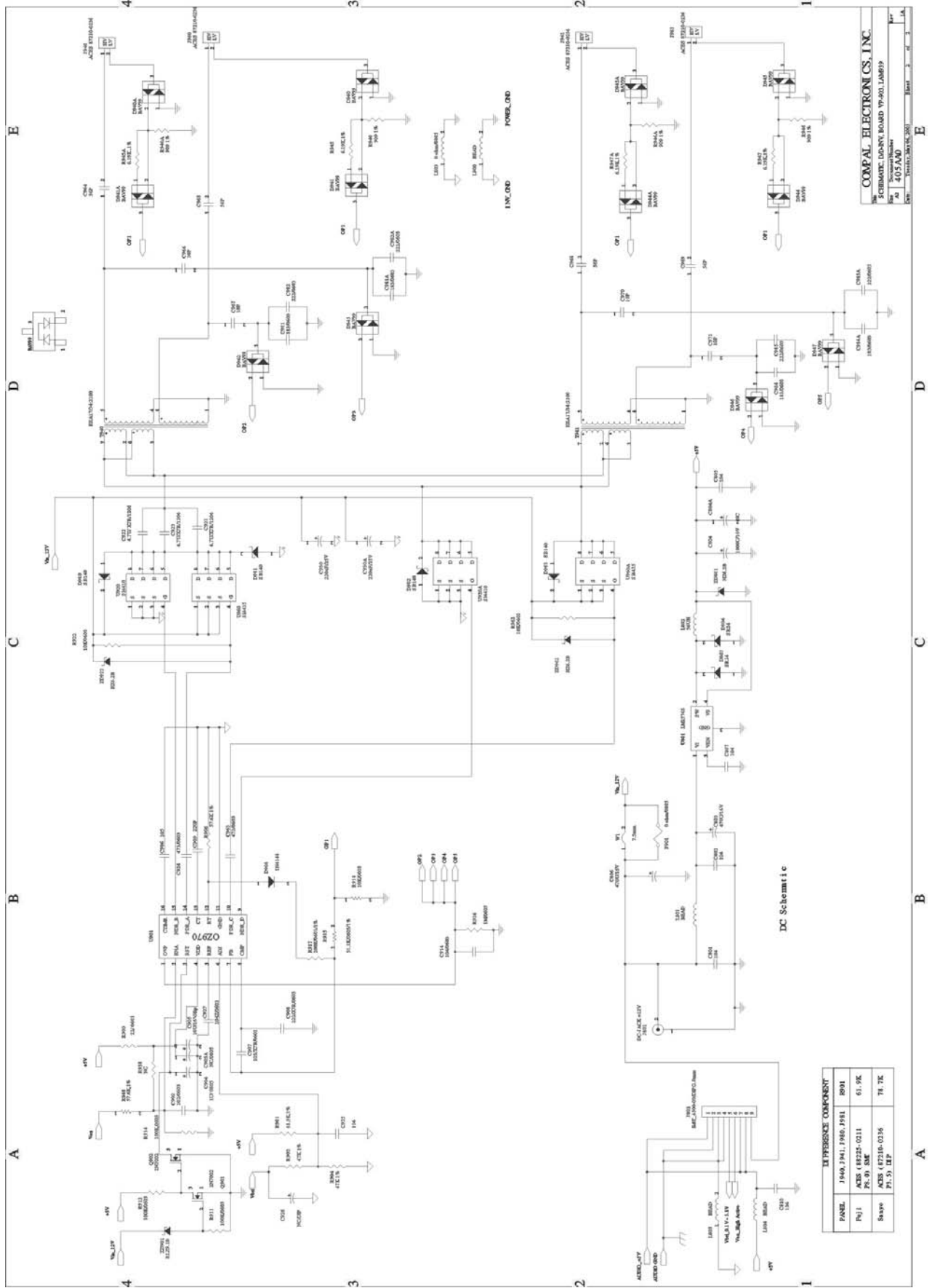
R/N:ydr6068j - D1H

```

=====
=====
REV. 1A
C NO. PART NO. DESCRIPTION SPECIFICATION QUANTITY REQUIRED DWG.NO. 454AA0
-----
30
001 REMARKS
-----
# 454AA030001 PCBA KEY/B VK-903 LAM939F 1A

1 BC40HZ6B2T7 ZENER DIODE HZ6B-2 4 - - - -D1 D2 D3 D4
2 BC5K2093000 LED LYSBK2093 YEL/BLU 3D 3P LIMPID 1 - - - -LED
* 3 DA1M939V010 PCB AM939 VK-903 REV1 1 - - - -ZZZ
4 DC030040000 WAFER CONN ACES 87502-0200 2P P2.25 2 - - - -J2 J3
5 DC03E000400 WAFER CONN. E&T 96113-0813 8P P1.25 1 - - - -J4
6 DC03E000600 WAFER CONN. E&T 96113-0513 5P P1.25 1 - - - -J1
7 DE611000607 SWITCH PT-002-B2 6 - - - -S1 S2 S3 S4 S5 S6
8 FCAM9300100 LCD HOLDER LED307_D3_L7 1 - - - -&LED
    
```

End of Report



REFERENCE COMPONENT			
PANEL	J-140, J-141, J-142, J-143	R-01	R-01
PJ-1	4075 (4025-0211)	61.9K	
840V	4076 (4025-0216)	71.7K	
	71.5	12P	

13.1.11 Material List by Parts-no

Date: 05/27/03
Time: 10:40:55

R/N:ydr6068j - D1H

=====				QUANTITY REQUIRED	DWG.NO. 455AA0			
REV. 1A	C NO.	PART NO.	DESCRIPTION	SPECIFICATION	-----			
					30			
					001			REMARKS

	# 455AA030001	PCBA D/D-INV.BOARD	VP-903 LAM939F		1A			
	1	435AA030001	SMT D/D-INV.BOARD	VP-903 LAM939F	1	-	-	- ZZZ
	2	BC1SB1401T0	DIO	SB140 DO-41 PANJIT	4	-	-	- D980 D981 D982 D983
	3	CA001EMJ000	CER CAP	10P 3KV +-5% SL P7.5	4	-	-	- C966 C967 C970 C971
	4	CA056FMJ000	CER CAP	56P 3KV +-5% SL P7.5	4	-	-	- C964 C965 C968 C969
	5	CB01006M010	ELE CAP	10U 50V M A P2 L8 5X11	1	-	-	- C905
	6	CB10012M5T0	ELE CAP	1000U 10V M B P5 (L-ESR)	1	-	-	- C804
	7	CB22004M200	CAPACITOR	220U 25V M B P5 L10.5 (L-ESR)	2	-	-	- C930 C930A
	8	CB47003M300	CAPACITOR	470U 16V M B P5 L10.5 (L-ESR)	2	-	-	- C803 C806
	9	CL310012100	CHOK COIL	CM999 56uH K 10X8X5 35.5TS	1	-	-	- L802
*	10	DC020154800	H-CON SET	AM939 D/D-INV-B-D 9P	1	-	-	- J802
	11	DC150001204	BEAD	BL02RN2-R62 (MURATA)	4	-	-	- L801 L804 L805 L900
*	12	DC230203410	CONN	SC SCD437CCS02 D2.0mm V/T BLK	1	-	-	- J801
	13	DG100016700	X'FORMER	AM939 POWER EEA-17 INV	2	-	-	- T940 T941

13.1.11 Material List by Parts-no

Date: 05/27/03
Time: 10:40:55

R/N:ydr6068j - D1H

=====				QUANTITY	REQUIRED	DWG.NO. 455AA0			
REV. 1A	C NO.	PART NO.	DESCRIPTION	SPECIFICATION	-----				REMARKS
					30				
					001				

	# 435AA030001	SMT D/D-INV.BOARD		VP-903 LAM939F					
*	1	DA2M939P010	PCB	AM939 VP-903 REV1	1	-	-	-	- ZZZ
	2	SA009700000	S IC	OZ970G SOP-16 PWM	1	-	-	-	- U901
	3	SA025760000	S IC	LM2576SX-5.0 TO-263 REG.	1	-	-	-	- U801
	4	SB544100008	SM TRANSISTOR	SI4410DY-T1-A 1N SO-8	2	-	-	-	- U920 U920A
	5	SB570020105	SM TRANSISTOR	RK7002 N-CHANNEL SOT-23	2	-	-	-	- Q901 Q902
	6	SB944350001	SM TRANSISTOR	SI4435DY 1P SO-8 W/D	2	-	-	-	- U960 U960A
	7	SC11N4148T8	SM DIODE	1N4148 (SM)	1	-	-	-	- D908
	8	SC4LZ62B000	S AEN DIO	RLZ 6.2B LL-34	3	-	-	-	- ZD801 ZD922 ZD962
	9	SC4LZ91B000	S ZEN DIO	RLZ9.1B LL-34	1	-	-	-	- ZD901
	10	SC6BAV99100	S DIO POW	BAV99(JE) 2P SOT-23	12	-	-	-	- D940 D940A D941 D941A D942 D943 D944 D944A D945 D945A D946 D947
	11	SCSSR240000	S SCH DIO	SR24 D0-214AC PANJIT 2A 40V	2	-	-	-	- D803 D804
	12	SD0020000T8	CHIP RES.	1/10W 0 +5% 0805	2	-	-	-	- F901 L803
	13	SD0131002T3	CHIP RES.	1/16W 10K +-5% 0603	S9	3	-	-	- R918 R922 R962
	14	SD0131003T1	CHIP RES.	1/16W 100K +-5% 0603	S9	3	-	-	- R911 R912 R914
	15	SD0131004T8	CHIP RES.	1/16W 1M +-5% 0603	S9	1	-	-	- R916
	16	SD013220AT4	CHIP RES.	1/16W 22 +-5% 0603	S9	1	-	-	- R903
	17	SD014200305	CHIP RES.	1/16W 200K +-1% 0603	S9	1	-	-	- R917
	18	SD014470200	CHIP RES.	1/16W 47K +-1% 0603		2	-	-	- R902 R904
	19	SD014511203	CHIP RES.	1/16W 51.1K +-1% 0603	S9	1	-	-	- R915
	20	SD014576208	CHIP RES.	1/16W 57.6K +-1% 0603	S9	2	-	-	- R906 R948
*	21	SD014619100	CHIP RES.	1/16W 6.19K +-1% 0603		4	-	-	- R945 R945A R947 R947A
*	22	SD014619209	CHIP RES.	1/16W 61.9K +-1% 0603	S9	1	-	-	- R901
	23	SD014909000	S RES	1/16W 909 +-1% 0603		4	-	-	- R940 R940A R946 R946A
	24	SE001221JT7	CHIP CERAMIC CAP.	220P 50V +-5% NPO 0805	S6	1	-	-	- C909
	25	SE023102NT2	CHIP CERAMIC CAP.	1000P 50V -20+80% Y5V 0603		1	-	-	- C902
	26	SE025103KT4	CHIP CERAMIC CAP.	.01U 50V +-10% X7R 0603	S8	1	-	-	- C907
*	27	SE025222KT3	CHIP CERAMIC CAP.	2200P 50V +-10% X7R 0603	S8	4	-	-	- C982 C982A C985 C985A
	28	SE026183K00	S CER CAP	.018U 16V K X7R 0603		4	-	-	- C981 C981A C984 C984A
	29	SE026222KT7	CHIP CERAMIC CAP.	2200P 16V +-10% X7R 0603	S8	1	-	-	- C908
	30	SE026473K06	CHIP CERAMIC CAP.	.047U 16V K X7R 0603	S8	2	-	-	- C924 C963
	31	SE027104NT0	CHIP CERAMIC CAP.	.1U 16V -20+80% Y5V 0603	S8	8	-	-	- C801 C802 C805 C807 C810 C914 C925 C927
*	32	SE030105K08	CHIP CERAMIC CAP.	1U 16V K X7R 0805		2	-	-	- C904 C906
	33	SE056475K00	CHIP CERAMIC CAP.	4.7U 25V K X7R 1210		3	-	-	- C921 C922 C923
	34	SP02E001000	SM WAFER CONN.	E&T 85219-0208 2P P7.5		4	-	-	- J940 J941 J980 J981

End of Report

13.1.11.4 Material List by Location

Date: 05/12/03
Time: 21:32:16

R/N: ydr6069j - D1H

=====				QUANTITY	REQUIRED	DWG.NO. X66ANP							
REV. 0A	C NO.	PART NO.	DESCRIPTION	SPECIFICATION	-----				REMARKS				
					30								
					001								

	# X66ANP30001	MEC PARTS ABO		LAM737Y TCO99MSV16/MSV34/MBK17									
1	EBAM7321000	NECK		AM7321 AL_ALLOY+MSV34	1	-	-	-	-	001			
2	ECAM7313000	CHASSIS		AM7313 SECC1.0	1	-	-	-	-	002			
3	ECAM7314000	EMI_COVER		AM7314 SECC0.8	1	-	-	-	-	004			
4	ECAM7331000	HINGE ASSY		AM7331 (SK-7)	1	-	-	-	-	005			
5	FAAM7311A00	BEZEL ASSY		AM7311A	1	-	-	-	-	006			
6	FAAM7312A00	BACK_COVER ASSY		AM7312A ABS94HB MBK17	1	-	-	-	-	007			
7	FHAM7332000	NECK RUBBER		AM7332 (H=70 MBK17)	1	-	-	-	-	008			
8	FHAM9345000	GASKET		71GV-W13-H10-L40-13	1	-	-	-	-	009			
9	MAA00001240	SCREW		M3X0.5+4I-NI	4	-	-	-	-	010	010	010	010
10	MAA00001300	SCREW		M4X0.7+4I-ZK_T1	2	-	-	-	-	011	011		
11	MAA00020300	SCREW		M4X0.7+8I-ZK-T1	4	-	-	-	-	012	012	012	012
12	MAA70002400	SCREW		M4X0.7+11P-MC WASHER DIM 8.0	2	-	-	-	-	013	013		
13	MAA70003100	SCREW		M3X0.5+4C-NI (NL)	14	-	-	-	-	014	014	014	014
										014	014	014	014
										014	014		
14	MAAA0019400	SCREW		4#40UNCX12.7 PLS-WASHER	4	-	-	-	-	015	015	015	015
15	MAB20074202	TAPING SCREW		TPP-4.0+10P-ZK	4	-	-	-	-	016	016	016	016
16	MAB7T002401	SCREW		TPB-4+8C-MC	4	-	-	-	-	017	017	017	017
17	MAB80007400	SCREW		TPP2X3+12B-MC	3	-	-	-	-	018	018		

End of Report