

acer

AL532

Service Manual



TABLE OF CONTENTS

SERVICE WARNING	1
A. IMPORTANT SAFETY INSTRUCTION	1
B. SPECIFICATIONS	2
C. TIMING CHART	3
D. CONTROL LOCATION	5
E. CONDUCTION VIEW	6
F. ADJUSTMENT PROCEDURE	10
G. TROUBLE SHOOTING HINTS	11
H. REPLACEMENT PARTS LIST	15
I. BLOCK DIAGRAM	21
J. SCHEMATIC DIAGRAM	22

WARNING

To prevent from fire or shock hazard,do not expose monitor to any rain or any form of water.High voltage is inside the monitor so please do not remove the back cover of the cabinet if you are not a qualified monitor engineer.Contact the local dealer or the nearest **Acer** branch office if you need help.

A. IMPORTANT SAFETY INSTRUCTION

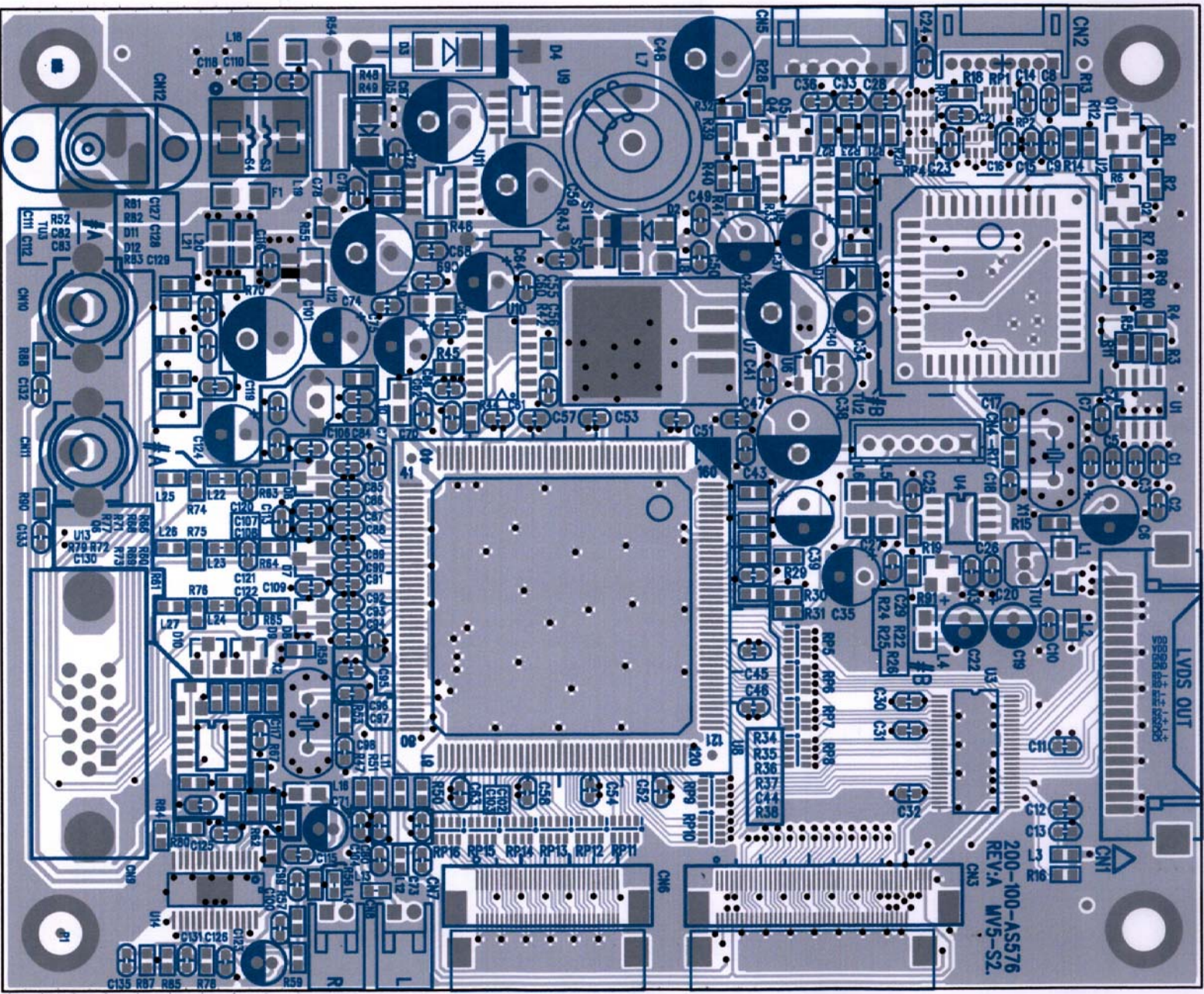
Prior to using this service manual,please ensure that you have carefully followed all the procedures outlined in the user's manual for this product.

1. Read all of these instructions.
2. Save these instructions.
3. Follow all warnings and instructions a marked on the product.
4. Unplug this product from the wall outlet before cleaning.Do not use liquid cleaners or aerosol cleaners, use a damp cloth for cleaning.
5. Do not use this product near water.
6. Do not place this product on an unstable cart,stand or table.The product may fall,causing serious damage to the product.
7. Slots and openings in the cabinet and the back or bottom are provided for ventilation,to ensure reliable operation of the product and to protect it from overheating,those openings must not be blocked or covered.The openings should never be blocked by placing the product on a bed,sofa, rug, or other similar surface.This product should not be placed in a built-in installation less proper ventilation is provided.
8. This products should be operated from the type of power source indicated on the marketin label. If you are not sure of the type of power available, consult your dealer or local power company
9. This product is equipped with a 3-wire grounding type plug,a plug having a third (grounding) pin.This plug will only fit into a grounding-type power outlet.This is a safety feature,if you are unable to insert the plug into the outlet,contact your electrician to replace your obsolete outlet.Do not defeat the purpose of the grounding-type plug.
10. Do not allow anything to rest on the power cord.Do not locate this product where persons will walk on the cord.
11. If an extension cord is used with this product,make sure that the total of the ampere ratings on the product plugged into the extension cord to the waplugged into outlet does not exceed 15 ampere.
12. Never push objects of any kind into this product through cabinet slots as they may touch dangerous voltage points or short out parts that could result in a risk of fire or electric shock.Never spill liquid of any kind on the product.
13. Do not attempt to service this product yourself,as opening or removing covers may expose you to dangerous voltage points or other risks.Refer all servicing to service personnel.
14. Unplug this product from the wall outlet and refer servicing to qualified service personnel under the following conditions.
 - a. When the power cord or plug is damaged or frayed.
 - b. If liquid has been spilled into the product.
 - c. If the product has been exposed to rain or water.
 - d. If the product does not operate normally,when the operating instructions are followed.Adjust only those controls that are covered by the operating instructions since improper adjustment of other controls may result in damage and will often require extension work by a qualified technician to restore the product to normal operation.
 - e. If the product has been dropped or the cabinet has been damaged.
 - f. If the product exhibits a distinct change in performance,indicating a need for service.

B. SPECIFICATIONS

1. Maximum Resolution	1024 x 768 @ 75Hz
2. Recommend Resolution	1024 x 768 @ 60Hz
3. Synchronization Range	
Horizontal	31 – 60 KHz
Vertical	56– 75 Hz
4. Active Display Area	304.1mm (H) x 228.1mm (V)
5. Dot Pitch	0.297(H) x 0.297(V) mm
6. Support display colors	16.7M color
7. Contrast Ratio (Typical)	500
8.Luminance of White	300cd/m ²
9. Bandwidth	80MHz
10. User Control	4 Key Switch
11. OSD Function	Brightness, Contrast, H-Position, V-Position, H-Size, Phase, Color Select, Auto, Reset, Language, OSD Adjust, Exit
12. View Angle	
Horizontal	140 Degrees
Vertical	120 Degrees
13. Power Source	100 – 240 Vac 60 / 50 Hz
14. Power Consumption	36W (max.)
15. Connection Type	15 Pin D Type
16. Input Signal	
Video	Analog R.G.B. , 0.7Vp-p / 75 Ohms
Sync.	TTL level,positive or negative polarity
17. Color Temperature	Cool / Warm
18. Dimension (WxHxD)	418mm x 421mm x 188mm
19. Monitor Weight	3.3 Kg
20. Base Operation	
Tilt	0 / + 15 degree
21. Power Saving	
ON	< 36W
STAND BY	< 5W
OFF	< 5W
22. Signal Connector Pin Assignment	
Pin No.	
	1. Red
	2. Green
	3. Blue
	4. Ground
	5. Self Test
	6. Red Ground
	7. Green Ground
	8. Blue Ground
	9. 5V _{DC}
	10. Sync. Ground
	11. Ground
	12. SDA (For DDC)
	13. Horizontal Sync.
	14. Vertical Sync.
	15. SCL (For DDC)
23. Audio signal	3.5Φ stereo phone jack Input Sensitivity : 200mV 2+2W 8Ω Speaker

Modes \ Preset	VESA 800X600	VESA 800X600	VESA 1024X768	VESA 1024X768	VESA 1024X768
Pixel clock (MHz)	50.000	49.500	65.000	75.000	78.750
H-Frequency (KHz)	48.077	46.875	48.363	56.476	60.023
H-Total (µs)	20.800	21.333	20.677	17.707	16.660
H-Active Display (µs)	16.000	16.162	15.754	13.563	13.003
H-Blanking (µs)	4.800	5.172	4.923	4.053	3.657
Front Porch (µs)	1.120	0.323	0.369	0.320	0.203
H-Sync-width (µs)	2.400	1.616	2.092	1.813	1.219
H-Back Porch (µs)	1.280	3.232	2.462	1.920	2.235
V-Frequency (Hz)	72.2	75.0	60.0	70.1	75.0
V-Total (ms)	13.853	13.333	16.666	14.272	13.328
V-Active Display (ms)	12.480	12.800	15.880	13.599	12.795
V-Blanking (ms)	1.373	0.533	0.786	0.673	0.533
V-Front Porch (ms)	0.770	0.021	0.062	0.053	0.017
V-Sync-width (ms)	0.125	0.064	0.124	0.106	0.050
V-Back Porch (ms)	0.478	0.448	0.600	0.513	0.466
H/V Sync. Polarity	+ +	+ +	- -	- -	+ +
Interlace	NONE	NONE	NONE	NONE	NONE



LVDS OUT
50000 1.2 1.2 1.2

200-100-AS576
REV.A MV5-S2

C135 R87 R85 R76

C127
C126
C125

R84
R83
R82
R81

R78
R77
R76
R75
R74

R73
R72
R71
R70
R69
R68
R67
R66
R65
R64
R63
R62
R61

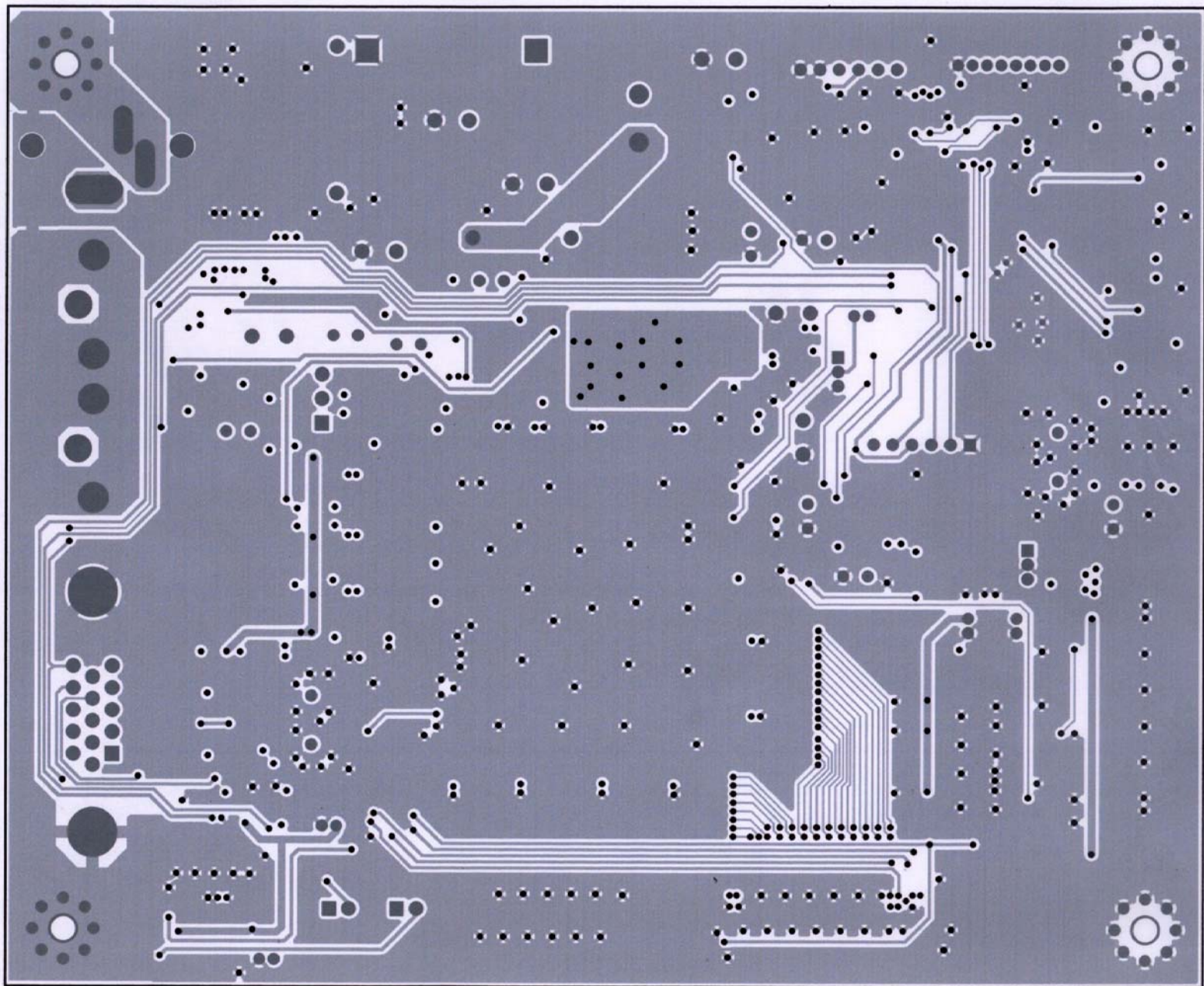
R59
R58
R57
R56
R55
R54
R53
R52
R51
R50
R49
R48
R47
R46
R45
R44
R43
R42
R41
R40
R39
R38
R37
R36
R35
R34
R33
R32
R31
R30
R29
R28
R27
R26
R25
R24
R23
R22
R21
R20
R19
R18
R17
R16
R15
R14
R13
R12
R11
R10
R9
R8
R7
R6
R5
R4
R3
R2
R1

C124
C123
C122
C121
C120
C119
C118
C117
C116
C115
C114
C113
C112
C111
C110
C109
C108
C107
C106
C105
C104
C103
C102
C101
C100
C99
C98
C97
C96
C95
C94
C93
C92
C91
C90
C89
C88
C87
C86
C85
C84
C83
C82
C81
C80
C79
C78
C77
C76
C75
C74
C73
C72
C71
C70
C69
C68
C67
C66
C65
C64
C63
C62
C61
C60
C59
C58
C57
C56
C55
C54
C53
C52
C51
C50
C49
C48
C47
C46
C45
C44
C43
C42
C41
C40
C39
C38
C37
C36
C35
C34
C33
C32
C31
C30
C29
C28
C27
C26
C25
C24
C23
C22
C21
C20
C19
C18
C17
C16
C15
C14
C13
C12
C11
C10
C9
C8
C7
C6
C5
C4
C3
C2
C1

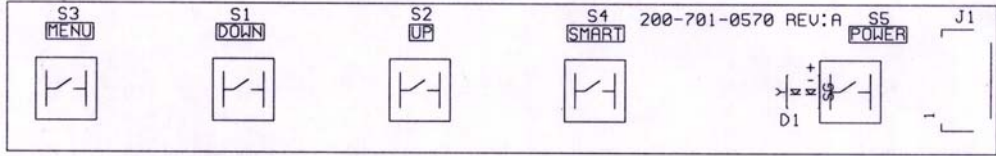
C127 C128
C129
C128
C127
C126
C125
C124
C123
C122
C121
C120
C119
C118
C117
C116
C115
C114
C113
C112
C111
C110
C109
C108
C107
C106
C105
C104
C103
C102
C101
C100
C99
C98
C97
C96
C95
C94
C93
C92
C91
C90
C89
C88
C87
C86
C85
C84
C83
C82
C81
C80
C79
C78
C77
C76
C75
C74
C73
C72
C71
C70
C69
C68
C67
C66
C65
C64
C63
C62
C61
C60
C59
C58
C57
C56
C55
C54
C53
C52
C51
C50
C49
C48
C47
C46
C45
C44
C43
C42
C41
C40
C39
C38
C37
C36
C35
C34
C33
C32
C31
C30
C29
C28
C27
C26
C25
C24
C23
C22
C21
C20
C19
C18
C17
C16
C15
C14
C13
C12
C11
C10
C9
C8
C7
C6
C5
C4
C3
C2
C1

C127 C128
C129
C128
C127
C126
C125
C124
C123
C122
C121
C120
C119
C118
C117
C116
C115
C114
C113
C112
C111
C110
C109
C108
C107
C106
C105
C104
C103
C102
C101
C100
C99
C98
C97
C96
C95
C94
C93
C92
C91
C90
C89
C88
C87
C86
C85
C84
C83
C82
C81
C80
C79
C78
C77
C76
C75
C74
C73
C72
C71
C70
C69
C68
C67
C66
C65
C64
C63
C62
C61
C60
C59
C58
C57
C56
C55
C54
C53
C52
C51
C50
C49
C48
C47
C46
C45
C44
C43
C42
C41
C40
C39
C38
C37
C36
C35
C34
C33
C32
C31
C30
C29
C28
C27
C26
C25
C24
C23
C22
C21
C20
C19
C18
C17
C16
C15
C14
C13
C12
C11
C10
C9
C8
C7
C6
C5
C4
C3
C2
C1

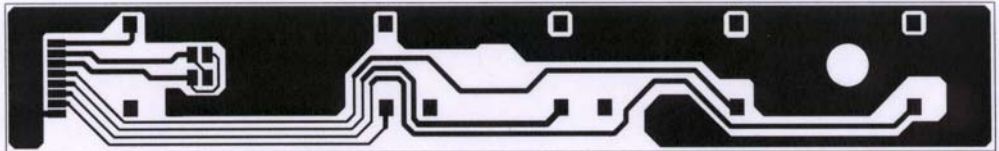
C127 C128
C129
C128
C127
C126
C125
C124
C123
C122
C121
C120
C119
C118
C117
C116
C115
C114
C113
C112
C111
C110
C109
C108
C107
C106
C105
C104
C103
C102
C101
C100
C99
C98
C97
C96
C95
C94
C93
C92
C91
C90
C89
C88
C87
C86
C85
C84
C83
C82
C81
C80
C79
C78
C77
C76
C75
C74
C73
C72
C71
C70
C69
C68
C67
C66
C65
C64
C63
C62
C61
C60
C59
C58
C57
C56
C55
C54
C53
C52
C51
C50
C49
C48
C47
C46
C45
C44
C43
C42
C41
C40
C39
C38
C37
C36
C35
C34
C33
C32
C31
C30
C29
C28
C27
C26
C25
C24
C23
C22
C21
C20
C19
C18
C17
C16
C15
C14
C13
C12
C11
C10
C9
C8
C7
C6
C5
C4
C3
C2
C1



CONTROL BOARD (Component Side)

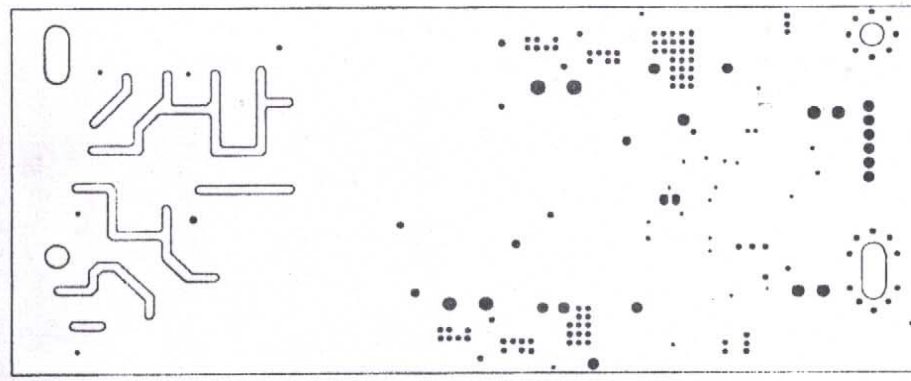
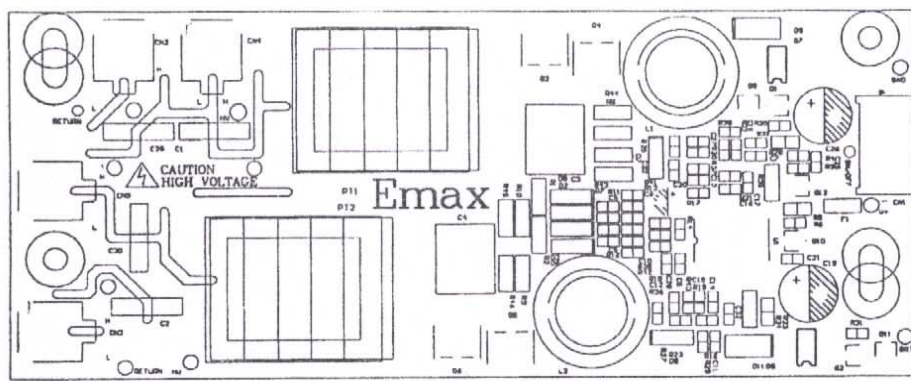
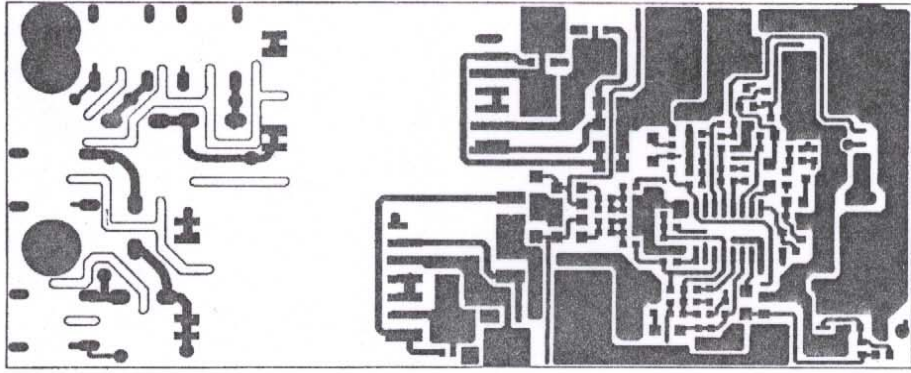


CONTROL BOARD (Solid Side)



Specification

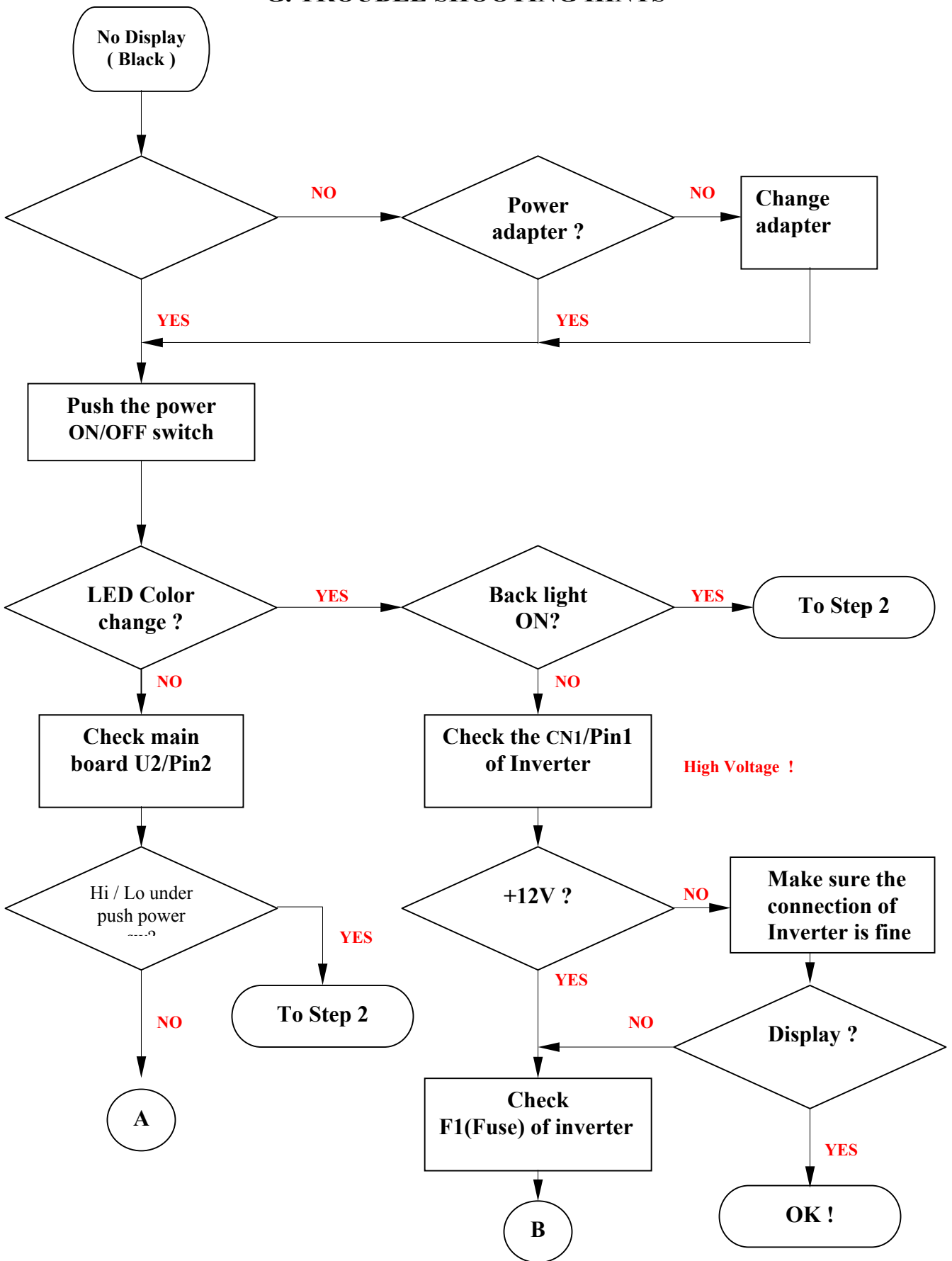
Part Name:	LCD PANEL DC TO AC INVERTER	Page:	1	of	2
Model No:	PLCD2615404	Date:	AUG / 27 / 2002		

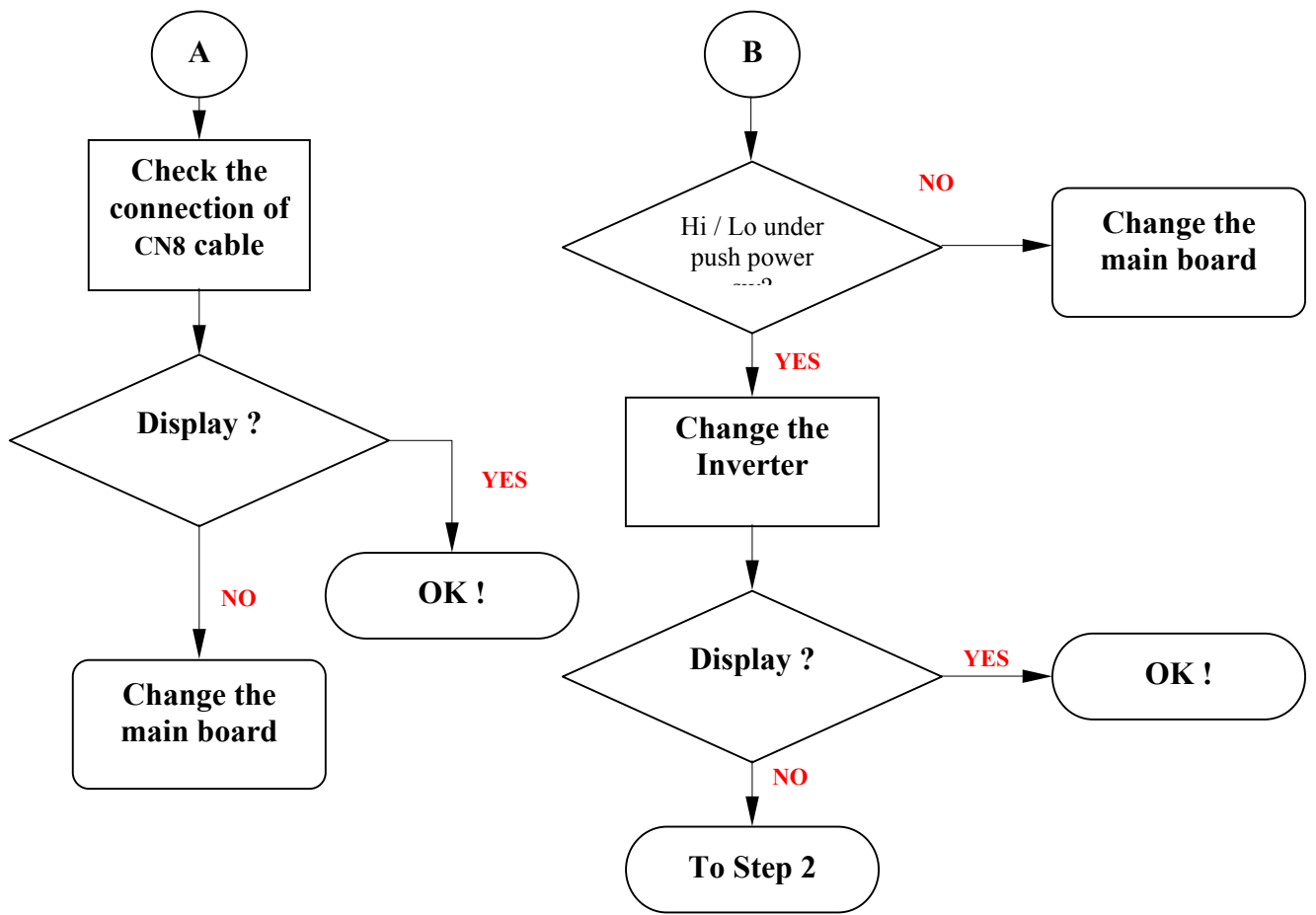


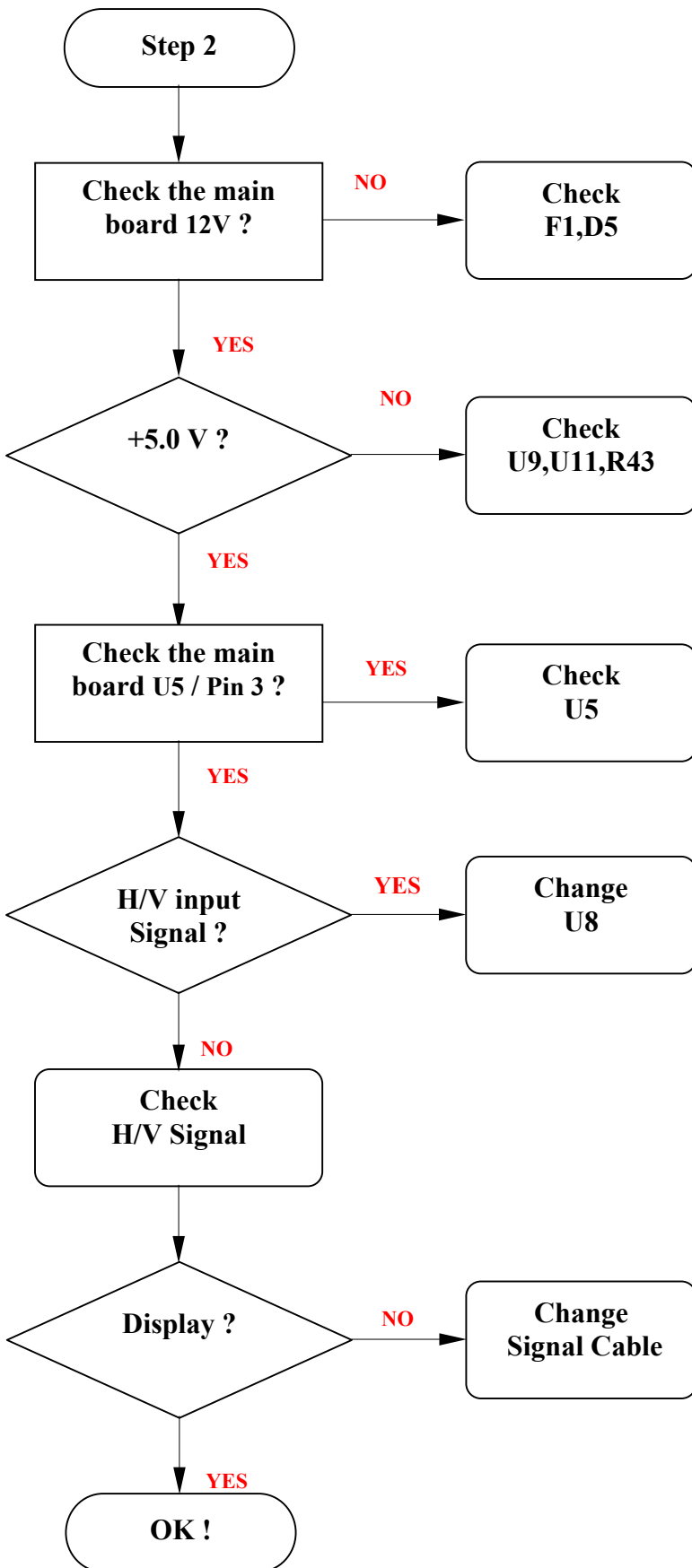
F. ADJUSTMENT PROCEDURE

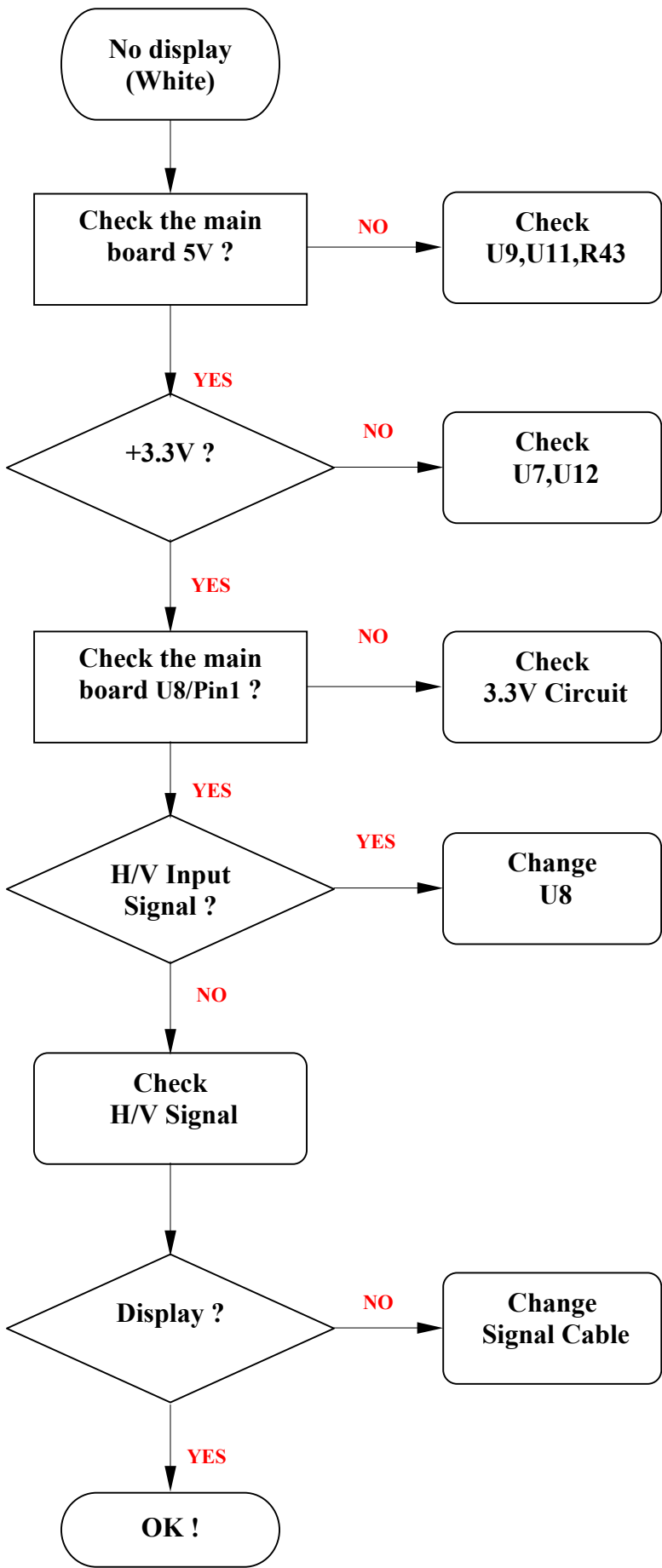
ITEM Program Menu.		# Test Meter * Test Point @ Pattern	Operation	Check Value
A	B+ Check	# Digital Voltmeter * CN7 @ Crosshatch Pattern (31.5KHz,640x480)	<ol style="list-style-type: none"> 1. Plug power cable into the adapter, check adapter power indicator light up green. 2. Make sure the voltage of the power plug (CN7) on the main PCB to the value shown at right. 	12.0V ±0.2V
B	Power Saving Check	# Wattmeter # PC or Pattern generator @ Crosshatch Pattern (31.5KHz,640x480)	<ol style="list-style-type: none"> 1. Unplug the signal cable into the monitor. 2. Turn the power switch of the monitor ON. 3. Check monitor power indicator light up orange. 4. Make sure the wattmeter value shown at right. 5. OSD will be display “NO SIGNAL” Picture. 	< 5W
C	Into Factory mode	# PC or Pattern generator @ Crosshatch Pattern (31.5KHz,640x480)	<ol style="list-style-type: none"> 1. Hold < key, then turn the power switch of the monitor OFF. 2. Hold > key, then turn the power switch of the monitor ON. 3. You can into factory adjustment mode. 	
D	Auto mode Check	# PC or Pattern generator @ Crosshatch Pattern (1024x768/60Hz)	<ol style="list-style-type: none"> 1. Press and release the MENU knob to activate the OSD menu. 2. Move the OSD to the AUTO function, press MENU key auto adjust display mode to its utmost performance according to VGA setting. 3. In the event of the display image needs further adjustment 	
E	White Balance Adjust	# PC or Pattern generator @ White Pattern (1024x768/60Hz)	<ol style="list-style-type: none"> 1. Move the OSD to the COLOR mode (AUTO COLOR). 2. set color is 9300°K using the OSD, Check the value shown at below. Y = 220 x = 0.283 y = 0.297 3. set color is 6500°K using the OSD, Check the value shown at right. Y = 220 x = 0.311 y = 0.329 	Y = 220 ±0.1FL x = 0.283 ±0.01 y = 0.297 ±0.01
F	OSD Language Setting	# PC or Pattern generator	<ol style="list-style-type: none"> 1. Move the OSD to the LANGUAGE mode. 2. You can choose one of the eight language you need. 	

G. TROUBLE SHOOTING HINTS









H. REPLACEMENT PARTS LIST

AL532

NO	Parts No.	Description	Part Location	Q'ty
	988-1A0-1001C	AS-576 Pcking material+TCO99 SANYO		1
	002-001-TCO9	TCO99 Declaration		1
	002-L01-5EACER	AS576 User's Manul Acer logo		1
	003-101-TCO9	All Series TCO99 Label for Crton		1
	005-002-5EACER	AS576 Carton Acer Logo		1
	170-000-0848C	PE BAG 0.07mm 14*30.5cm.		1
	170-005-LCD5	LCD 15" PE Bag	For DC Line	1
	170-005-VM541	LT-541 PE Zipper Bag 300*200mm.	For LCD	1
	826-000-AS576	AS-576 Series pcking material	For Manual	1
	160-00L-AS576	AS576 Polyfom (L).		1
	160-00R-AS576	AS576 Polyfom (R).		1
	846-120-C0AL-AT	Adapter 12V 3A 36W		1
	003-H01-AS576	Acer AL532 TCO99 Label		1
	003-401-AS576	Acer AL532 Carton Label		1
	002-G00-ACER	NF-787NS warranty card for Europe"Acer"		1
	902-AS0-1001C	AS-576 TUV/GS/CE TCO99 Panel		1
	151-002-AS576	AS576 Rear cover Acer		1
	154-002-ABS6E	Plastic material ABS HB EM-006E		1
	110-4R0-20646	Screw M4*H8*Φ6.6mm		2
	154-001-AS576	AS576 Key TOP PC		1
	123-B02-AS576	AS576"Acer+AL532" logo		1
	820-001-5EST	AS576 stand ass'y		1
	123-701-AS576	AS576 Base neck AL or ZN.		1
	123-700-AS576	AS576 Base AL or ZN.		1
	155-001-AS576	Rubber 10*20 Black		4
	100-010-4033	Screw P4*10 ISO	BASE+NECK*3	3
	600-151-0404	Power cord for Germany 150cm White		1
	610-151-15RM-1	SH570/770Signal Cable UL20276 1.5m		1
	827-001-AS576	AS-576 LCD Panel Assy material for SANYO		1
	100-008-3013	Screw R3*8mm TP1	For Key Top*2	2
	100-010-4033	Screw P4*10 ISO	Neck+Hinge*2	2
	101-005-2032	Screw M2*5 ISO	Speaker*4	4
	101-005-3032	Screw M3.0*5 ISO.	Main PCB*4, Inverter*2	6
	103-006-4033	Screw F4*6mm ISO ZI3C	For Rear Cover+Hinge	1
	103-010-3012	Screw TAP-BASE.	Panel+Rear Plate*4	4
	105-006-3012	Screw T3*6mm TP1.	Control PCB*2	2
	105-006-4033-1	Screw T4*6mm ISO	Hinge+Rear Plate*2	2
	105-010-3012	SCREW T3*10mm TP1.	Rear Plate+Rear Cabinet*4	4
	110-4R0-20646	Screw M4*H8*Φ6.6mm	For Rear Cabinet*2	2
	154-002-AS576	AS576 Mylar Sheet T=0.5mm	For Panel C02RD0534	1

	506-178-E62BP-40	SMD CPU IC(WINBOND:W78E62BP-40	P1 for U2 ,Socket	1
	631-003-A014-C	Audio Cable 3.5Ø STEREO to 2*RCA connector		1
	631-006-7020-T	SH570/770 1061#28 6P2.0mm	EMI	1
	631-008-G020-W	8Pin 1.5Pitch <-> 8Pin 1.5Pitch	CTR/B->M/B	1
	631-030-F576	30 PIN FFC Cable L182mm		1
	631-040-F576	40 PIN FFC Cable L193mm		1
	824-00Q-AY565L	AY565 Speaker Ass'y L		1
	154-000-SPCS	AY/CY Series Speaker Case 006 ABS HB		1
	710-20A-Y565	AY/CY-565 Speaker (8Ω/1.5W) 40*20mm		1
	631-002-904L	CY/AY-565 Speaker Wire 2.0mm pith		1
	824-00Q-AY565R	AY565 Speaker Ass'y R		1
	154-000-SPCS	AY/CY Series Speaker Case 006 ABS HB		1
	710-20A-Y565	AY/CY-565 Speaker (8Ω/1.5W) 40*20mm		1
	631-002-902R	HG562A R Speaker Wire 2.0-TIN.		1
	154-003-AS576	AS576 Mylar Sheet 168*126mm		1
	831-300-0100	Key 粘膠 (5000NS)		1
	831-750-0500	Tape 50mm Black	For Key Top*1	0.032
	121-000-AS576	Rear Plate SECC 1.0T.		1
	126-000-AS576	AS576 Hinge Steelness.		1
	600-151-5004-M	Power Cord for UK 150cm White		1
	600-151-5504	Power Crd for Swiss 150cm 白色.		1
	899-00M-AS576	AS576 Main PCB for SANYO Panel		1
	852-00M-AS576	AS576 Main PCB for SANYO Panel SMD		1
	200-100-AS576	AS576 Main Board	PCB	1
	281-031-20014	SMD RES 2K ohm 0603. 1%	R55	1
	281-031-62014	SMD RES 6.2K ohm 0603	R46	1
	281-035-0R04	SMD RES 0 ohm 0603 5%	L12,R21,S1,S2,R13,R14,R63,R64,R65	9
	281-035-1014	SMD RES 100 ohm 0603 5%	R42,R44,R45,R82	4
	281-035-1024	SMD RES 1K ohm 0603 5%	R6,R7,R24,R29,R30,R31,R33,R37,R73	9
	281-035-1034	SMD RES 10k ohm 0603 5%	R2,R8,R9,R15,R34,R35,R36,R48,R61,R70	10
	281-035-1054	SMD RES 1M ohm 0603	R53,R17	2
	281-035-1514	SMD RES 1M ohm 0603	R12	1
	281-035-2034	SMD RES 20K ohm 0603	R56,R59,R78,R80,R84,R87,R88,R90	8
	281-035-2224	SMD RES 2.2K ohm 0603	R22,R25,R40,R41,R52,R81,R83	7
	281-035-3304	SMD RES 33 ohm 0603	R3,R5,R47,R50,R51,L11	6
	281-035-3334	SMD RES 33K ohm 0603	R85,R57	2
	281-035-4704	SMD RES 47 ohm 0603	R72	1
	281-035-4724	SMD RES 4.7K ohm 0603	R4,R11,R16,R19,R20,R28,R32,R39	8
	281-035-4734	SMD RES 47K ohm 0603	R66,R77	2
	281-035-5104	SMD RES 51 ohm 0603	R68,R71	2
	281-035-5114	SMD RES 510 ohm 0603	R10	1
	281-035-7504	SMD RES 75 ohm 0603	R1,R74,R75,R76	4
	282-330-2454	SMD RES 33 ohm 1206 ARRAY	RP1,RP4,RP5,RP6,RP7,RP8,RP9,RP10,RP11,RP12,RP13,RP14,RP15,RP16	14
	282-472-2454	SND RES 4.7K ohm 1206 8P4R	RP3	1

381-151-032554	SMD CC	150pF/25V	NPO 0603	C77	1
381-220-032554	SMD CC	22pF/25V	NPO 0603	C17,C18,C56,C62,C70,C97,C98,C127	8
381-301-032554	SMD CC	300pF/25V	NPO 0603	C68	1
381-330-032554	SMD CC	33pF/25V	NPO 0603	C100,C131	2
382-103-032564	SMD CC	0.01uF/25V	X7R 0603	C47,C50,C60,C72,C74,C82,C86,C88,C90,C93,C107,C110,C112	13
382-393-032564	SMD CC	0.039uF/25V	X7R 0603	C84	1
382-472-035064	SMD CC	4700pF/50V	X7R	C87,C91,C94	3
382-682-035064	SMD CC	6800P/50V	X7R 0603	C135,C99	2
385-104-032584	SMD CC	0.1uF/25V	Y5V 0603	C1,C2,C3,C4,C5,C7,C8,C9,C10,C14,C15,C16,C20,C21,C23,C24,C25,C26,C28,C29,C33,C36,C41,C43,C44,C45,C46,C49,C51,C52,C53,C54,C55,C57,C58,C61,C63,C65,C66,C69,C78,C83,C85,C89,C92,C95,C96,C111,C115,C116,C117,C118,C125,C126	54
385-105-041684	CHIP-C	1uF/16V	Y5V 0805	C130,C132,C133	3
481-LCC-0440	PLCC SOC	44PIN	1.27	U2	1
485-415-S070	D-SUB	3R15 FEMALE	180D 7.0	CN9	1
506-0AI-C1084	SMD IC	AIC1084CM	REG. 3.3V 5A	U7	1
506-0AI-CX33	SMD IC	AIC1720-33	100mA SOT89	U12	1
506-0AP-4835	SMD IC	APA4835RI	AUDIO/ANPEC	U14	1
506-2AI-C1578	SMD IC	AIC1578		U11	1
506-524-LC21	SMD IC	24LC21	MEMORY	U13	1
506-5NM-24C16	SMD IC	NM24C16M-8		U1	1
506-774-LVT14	SMD IC	74LVT14	ADCW HI SPEED	U10	1
506-800-358D	SMD IC	LM358D	S08 OP	U5	1
506-SMA-SCOT-V	SMD IC	SCALER CHIP	MASCOT V MRT	U8	1
518-02N-3904	TR.	2N3904	SMD	Q1,Q2,Q3,Q4,Q5	5
518-ICE-9435	SMD IC	CE9435A	C08 MOSFET	U4,U9	2
528-2BA-T54C	SMD DIODE	BAT54C	SOT23	Q6	1
558-352-5000	SMD FUSE	1206 24V	5A	F1	1
780-103-3000	SMD BEAD	SBK160808-300Y	(0603)	L13,L14	2
780-104-6010	SMD BEAD	SBK-201209T-601Y-S	(0805)	L9,L10,L16,L20,L21	5
780-107-1210	SMD BEAD	MLB-321611-0120P-N1	(1206)	L1,L6,L8,L18	4
630-030-9003A	FFC CNC	30P	0.5	CN6	1
630-040-9003A	FFC CNC	40P	0.5	CN3	1
780-103-8000A	SMD Bead	FCM1608K-800T07		L22,L23,L24	3
780-103-3000A	Bead	FCM1608K-300T07		L25,L26,L27	3
003-H02-ALL9	ALL AI PCB code	15*8MM	Label (white)		1
851-00M-AS576	AS576 Main PCB	for SANYO Panel	DIP		1
232-R02-505T	WR-C-5W	0.020ohm	5%	R43	1
330-100-16255	EC H5mm	10uF/16V	105C M TP	C104	1
330-101-16255	EC H5mm	100uF/16V	105C M TP	C6,C37,C39,C42,C64,C75,C101,C124	8
330-220-16255	EC H5mm	22uF/16V	105C 4*5	C22	1
330-221-16255	EC H5mm	220uF/16V	105C M	C38,C40,C48,C59,C79,C119	6
330-2R2-50275	EC H5mm	2.2uF/50V	105C	C123	1
409-003-0110	DC Jack	3.5D	SCD510	CN12	1

409-003-0111	RCA Jack SCP606	CN11	1
409-003-0112	RCA Jack SCP606	CN10	1
504-000-6300L	Reset IC. V6300L TO92 (DIP)	TU2	1
504-007-A431	KIA431/KEC	TU3	1
520-030-B340-T	Schttky SB340 TP	D4	1
531-110-49US	Crystal 11.0592MHz	X1	1
531-120-49US	Crystal 12MHz	X2	1
630-002-1008	Base Pitch 2.0 2Pin JWT A2001	CN7,CN8	2
630-006-4002R	Base Pitch 2.0 6Pin	CN5	1
630-008-C001	JST 1.5mm Header ZR S8B-ZR	CN2	1
745-050-3072	Line Coil 5uH JBT0385 100805-4	L19	1
745-470-20621	Choke <u>47UH@3A</u>	L7	1
152-000-SH570	TOSHIBA DC Jack Support Nylon.		1
849-40X-AS576	Inverter 2 to 4 8ma E-MAX		1
899-400-AS576	AS-576 Control PCB Ass'y.		1
200-701-0576	AS576 Control Key PCB		1
401-170-0220	Tact Switch H5mm	S1,S2,S3,S4,S5	5
520-005-L937	LED 2Pin Blue/Yellow L937MBYW	D1	1
630-008-C001	JST 1.5mm Header ZR S8B-ZR	J1	1
705-350-2916	SANYO Panel TM150XG-26L06A.		1

Specification

Part Name:	LCD PANEL DC TO AC INVERTER	Page:	1	of	2
Model No:	PLCD2615404	Date:	AUG / 27 / 2002		

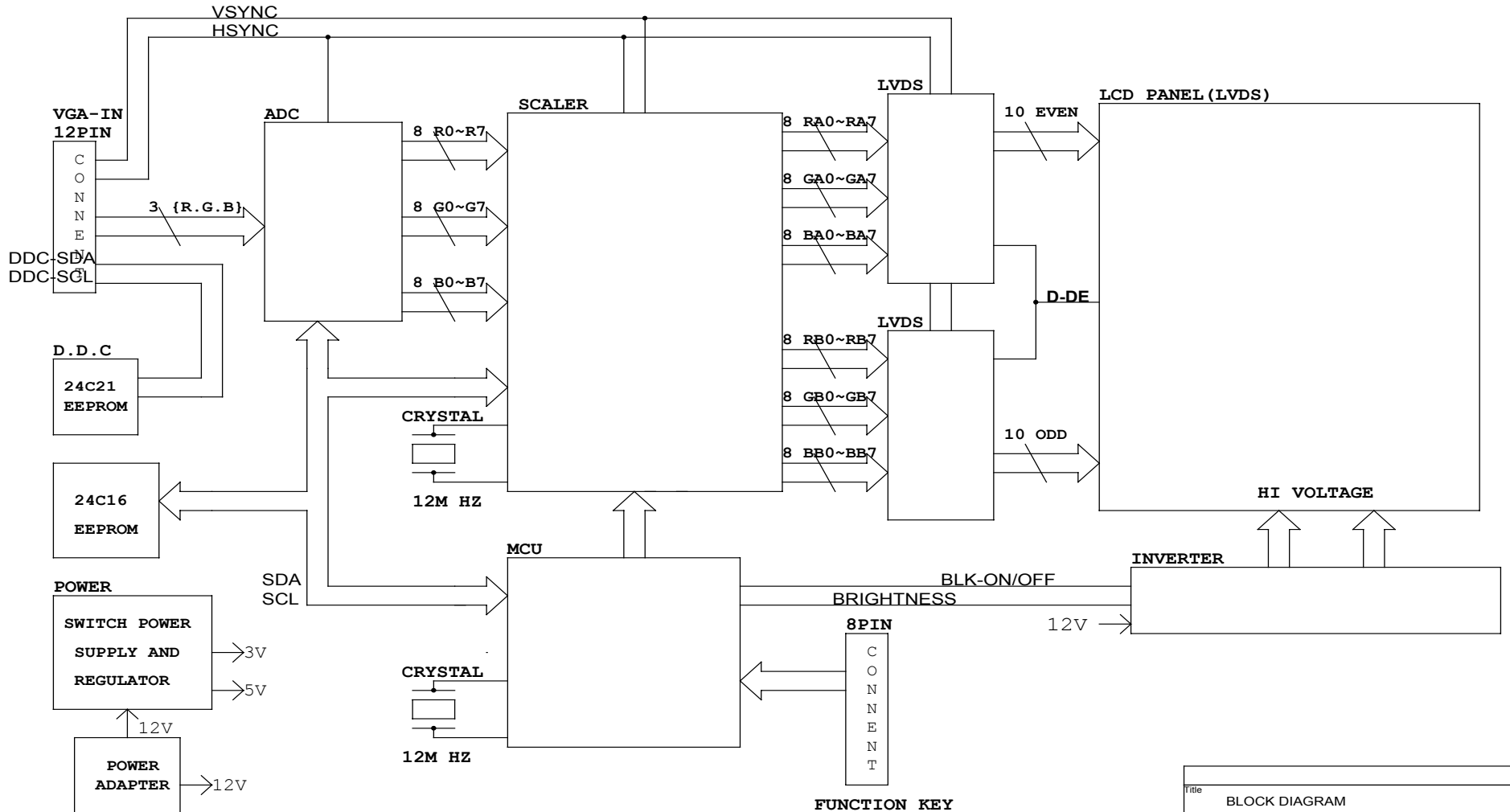
Location	Spec.	Number	MAKER	UL No.
C20	22uF/16V(FP1541 TL1451) 2.2uF/50V(BA9741)	1	TEAPO,SANYO HER MEI, FUHJYU	
C5,C9,C14,C15,C16 ,C17,C18,C21,C25, C32,C33,	104/50V,0603	11	TDK,PHILIPS	
C3,C4	.15uF/100V,RSB	2	ARCOTRONICS,TAI YANG	
C6,C10,C27,C28	105/16V,0603	4	TDK,PHILIPS	
C8	470/50V,0603	1	TDK,PHILIPS	
C19,C26	100 uF/25V or 150uF/25V	2	SANYO,HER MEI,TEAPO	
C1,C2,C29,C30	22pF/3KV,DIP	4	TDK,PHILIPS	
CN1	2001J-06-RT(ORICH) S6B-PH-KL(JST)	1	ORICH,JST	E201214 E60389
CN2,CN4	3239,AWG24,3KV, 75mm+BHSMR-02VS	2	JST,REI HSING WIRE	E60389 E108485
CN3,CN5	3239,AWG24,3KV, 140mm+BHSMR-02VS	2	JST,REI HSING WIRE	E60389 E108485
D2,D3,D5,D6	RLS4148	4	ROHM,YING,TS	
D9,D11	SK24 or 2A/40V	2	ROHM,YING,TS	
D7,D8	ZENER 11V	2	ROHM,YING,TS	
R1,R2	1.1K Ω , 1206	2	YAGEO,SYNTON-TECH, LIKET,EVER OHMS,TA-I	
R6,R28,R29	100K Ω , 0603	3	YAGEO,SYNTON-TECH, LIKET,EVER OHMS,TA-I	
R3	3.6K Ω , 0603	1	YAGEO,SYNTON-TECH, LIKET,EVER OHMS,TA-I	
R11,R12	10K Ω , 0603	2	YAGEO,SYNTON-TECH, LIKET,EVER OHMS,TA-I	
R19,R21	510 Ω , 0603	2	YAGEO,SYNTON-TECH, LIKET,EVER OHMS,TA-I	
R16,R17,R18,R20,R 25,R27	20K Ω , 0603	6	YAGEO,SYNTON-TECH, LIKET,EVER OHMS,TA-I	
R34,R35	560 Ω , 1206	2	YAGEO,SYNTON-TECH, LIKET,EVER OHMS,TA-I	

Specification

Part Name:	LCD PANEL DC TO AC INVERTER	Page:	2	of	2
Model No:	PLCD2615404	Date:	AUG / 27 / 2002		

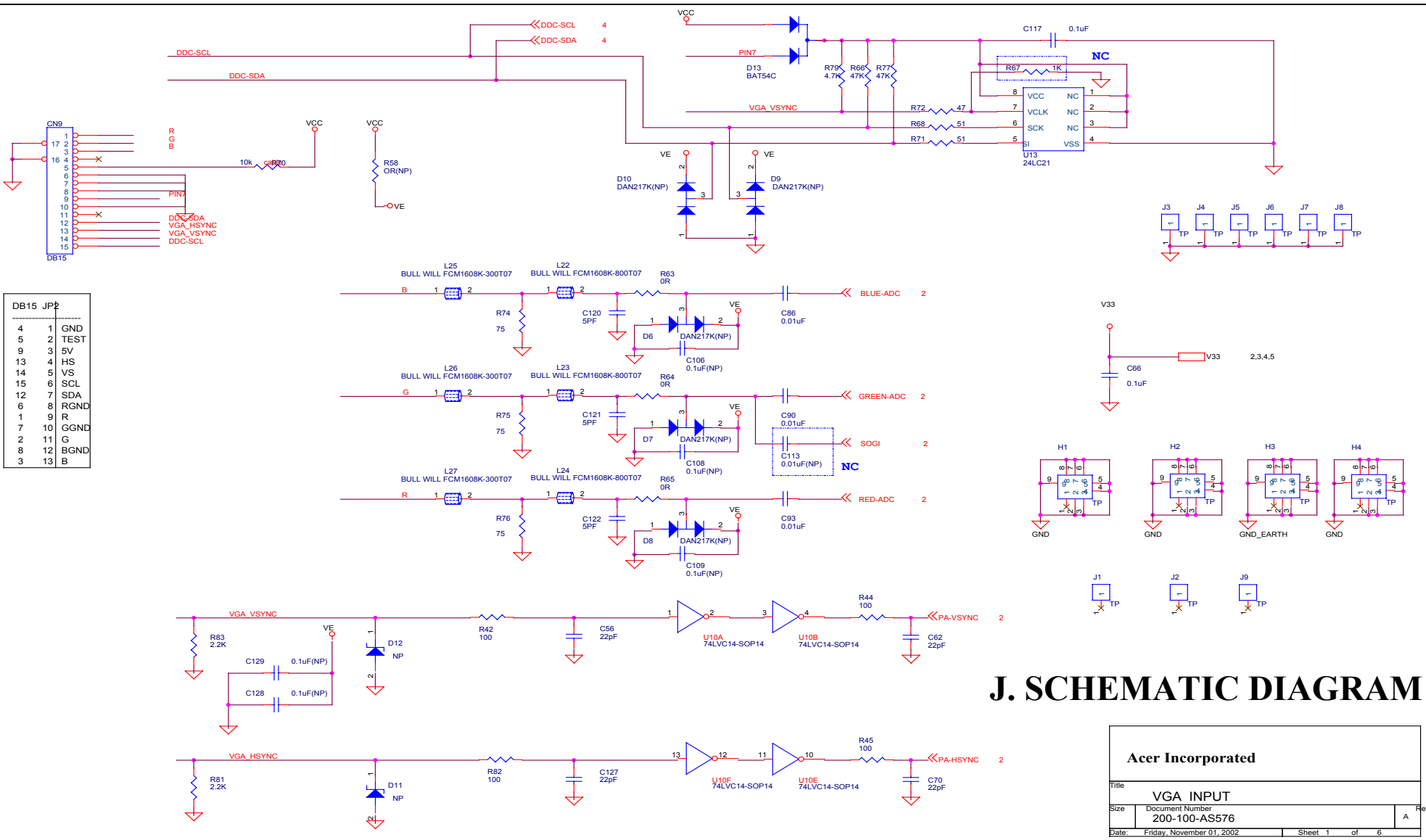
Location	Spec.	Number	MAKER	UL No.
R13,R38	1K Ω ,0603	2	YAGEO,SYNTON-TECH, LIKET,EVER OHMS,TA-I	
R4,R30,R31	1M Ω ,0603	3	YAGEO,SYNTON-TECH, LIKET,EVER OHMS,TA-I	
R5	56K Ω ,0805	1	YAGEO,SYNTON-TECH, LIKET,EVER OHMS,TA-I	
R32,R33	1.2K Ω ,0805	2	YAGEO,SYNTON-TECH, LIKET,EVER OHMS,TA-I	
R41,R42	5.1K Ω ,0603	2	YAGEO,SYNTON-TECH, LIKET,EVER OHMS,TA-I	
R39,R40	30K Ω ,0603	2	YAGEO,SYNTON-TECH, LIKET,EVER OHMS,TA-I	
R14	10K Ω ,0603(FP1451 or TL1451) or 8.2K Ω ,0603(BA9741)	1	YAGEO,SYNTON-TECH, LIKET,EVER OHMS,TA-I	
R7,R8,R9,R10,R43, R44R45,R46	910 Ω ,1206	8	YAGEO,SYNTON-TECH, LIKET,EVER OHMS,TA-I	
Q1,Q2	SST2222A	2	ROHM,AUK	
Q3,Q4,Q5,Q6	2SC4672	4	ROHM,AUK	
Q7,Q8	9435A or F7205 or AO4403	2	CET,IR,FAIRCHILD,AO	
Q9,Q10,Q11	SST2907A	3	ROHM,AUK	
Q12	RK7002	1	ROHM,AUK	
L1,L2	ETI0008	2	EMAX	
F1	429003(Littelfuse) 3216FF-3A(Bussmann) 1206FA3A(SkyGate)	1	LITTEL,BUSSMAN, SKY GATE	E10480 E19180(N) E195987
U1	FP1451 or BA9741 or TL1451	1	FEELING, ROHM, TI	
PCB	PLCD2615404 CPC0051R0007E	1	CHIAN YOU,DM, HANT GIST,YUMMON, TONG JIANG(HUI YANG)	E112804(S) E74757 E177794 E168218(S) E201363
PT1,PT2	EST0082B,EFD-20L	2	EMAX	
MYLAR	MLTG75*141*0.125mT	1	GARWARE	E110983(M)
LABEL	849-40X-AS576 (Stick on the back of the PCB)	1	GARWARE	

I. BLOCK DIAGRAM



FUNCTION KEY

Title		BLOCK DIAGRAM	
Size	B	Document Number	ORION
Date:	Tuesday, October 23, 2001	Sheet 1	of 1



DB15 JP2

4	1	GND
5	2	TEST
9	3	5V
13	4	HS
14	5	VS
15	6	SCL
12	7	SDA
6	8	RGND
1	9	R
7	10	GGND
2	11	G
8	12	BGND
3	13	B

J. SCHEMATIC DIAGRAM

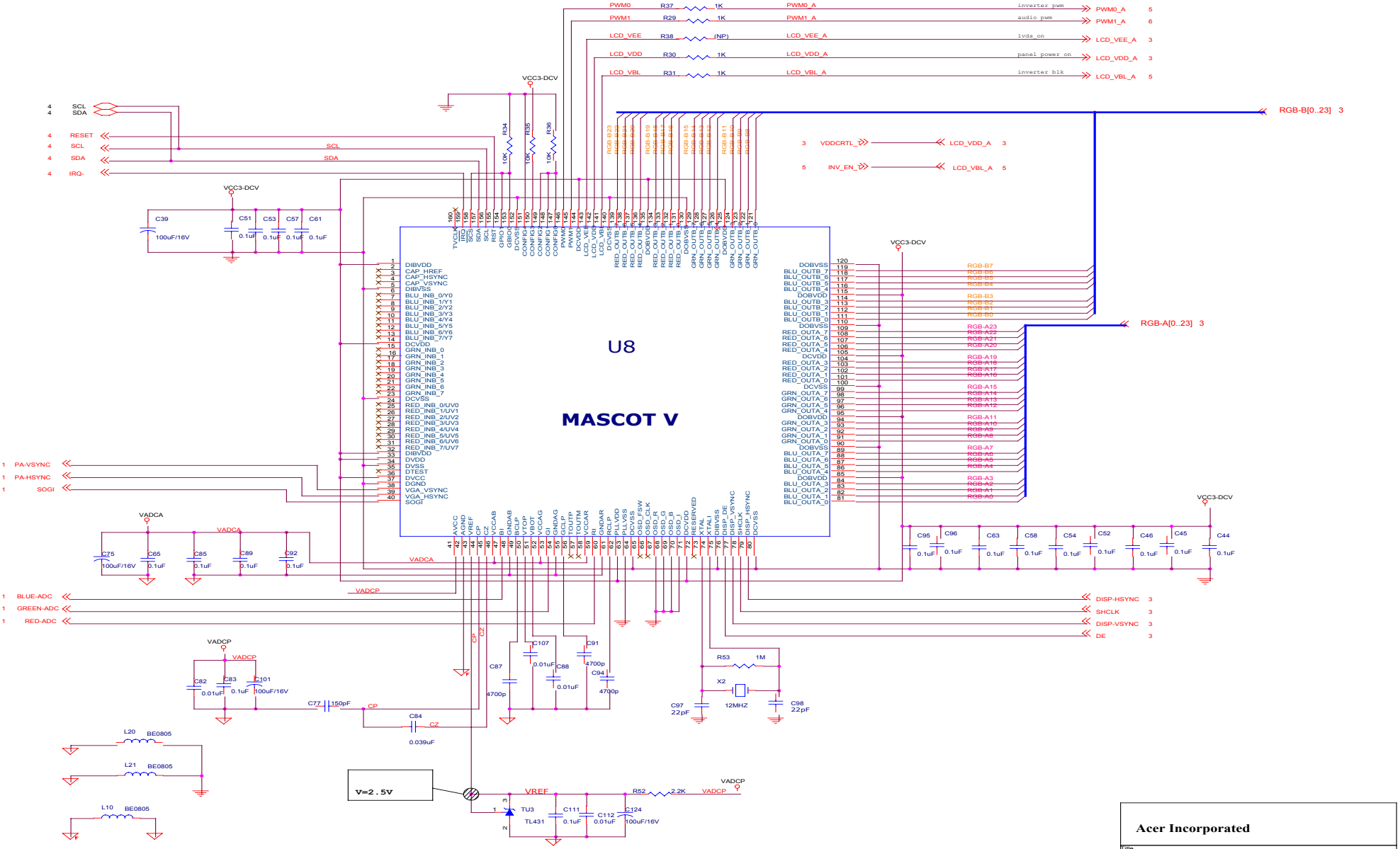
Acer Incorporated

Title: **VGA INPUT**

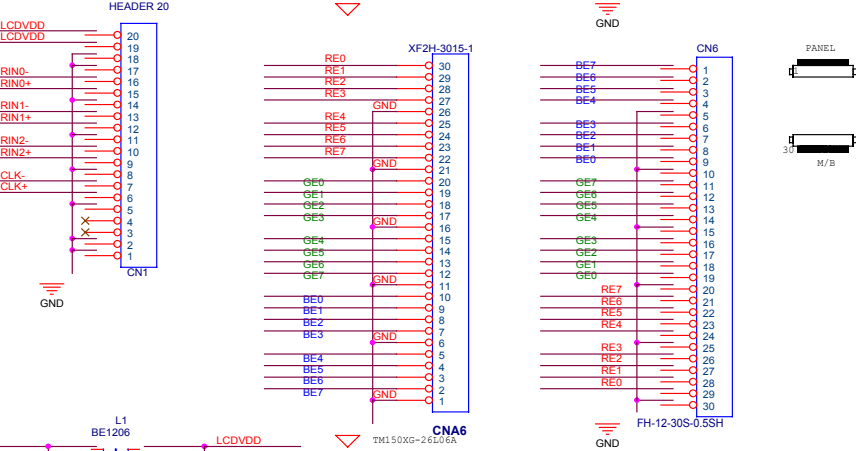
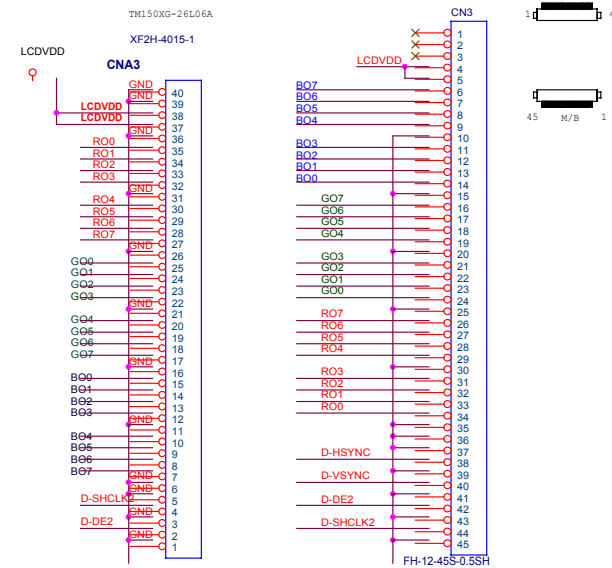
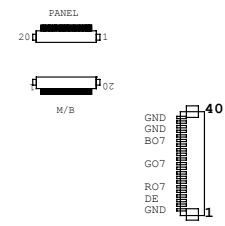
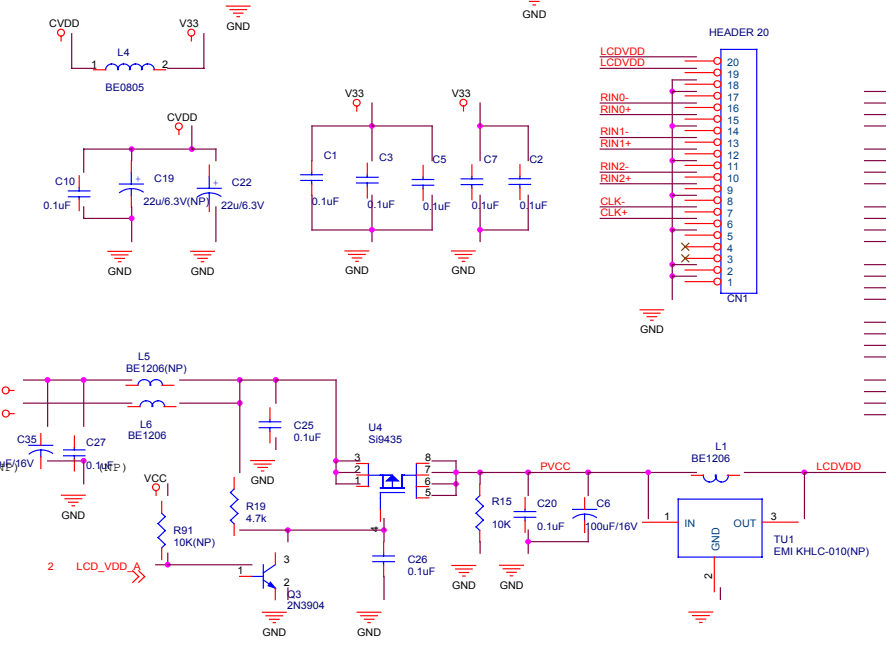
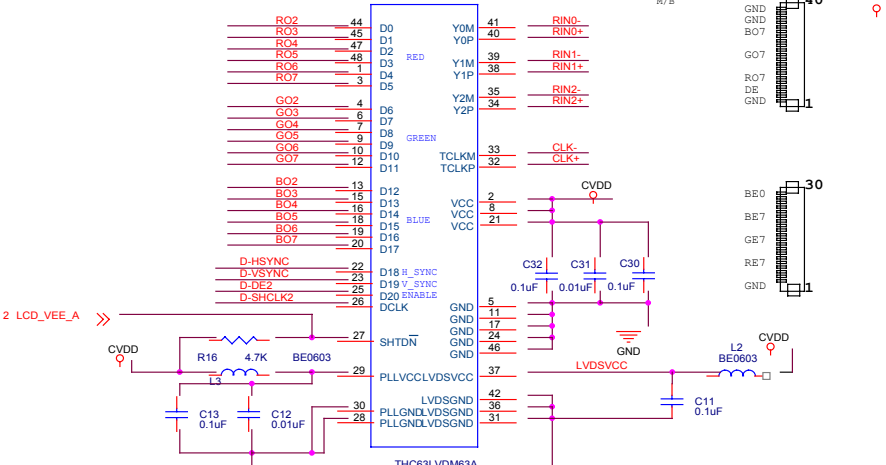
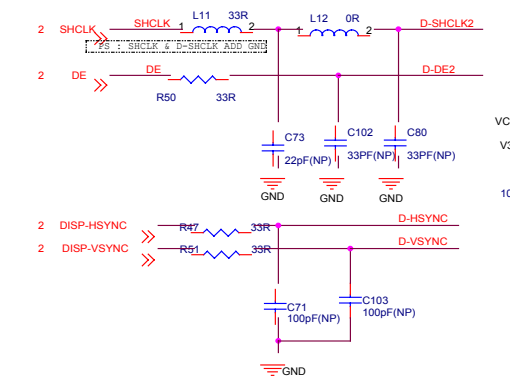
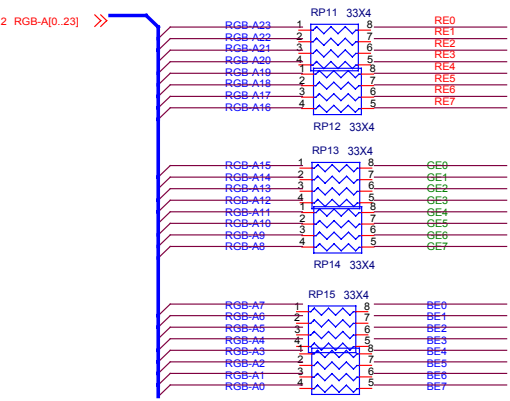
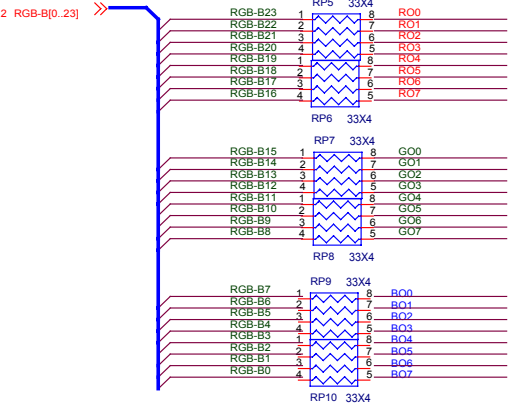
Size: Document Number **200-100-AS576**

Date: Friday, November 01, 2002

Sheet 1 of 6

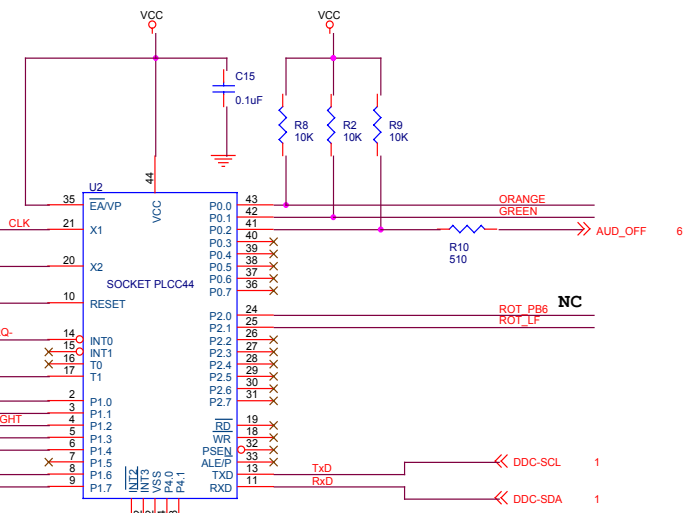
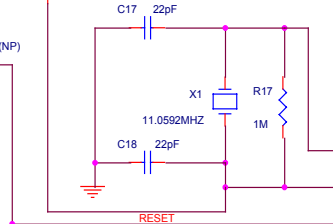
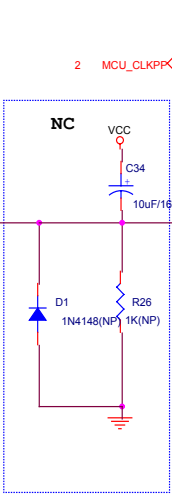
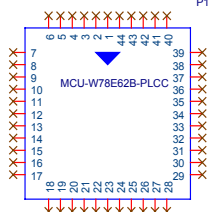
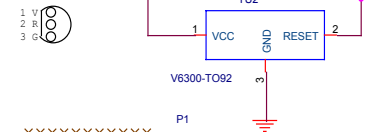
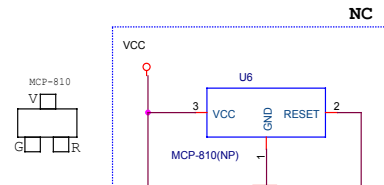
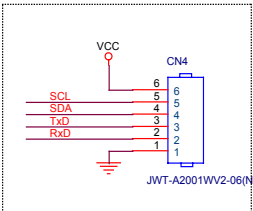


Acer Incorporated		
File	MASCOT V(A/D+Scaler)	
Size	Document Number	Rev
	200-100-AS576	A
Date:	Friday, November 01, 2002	Sheet 2 of 6

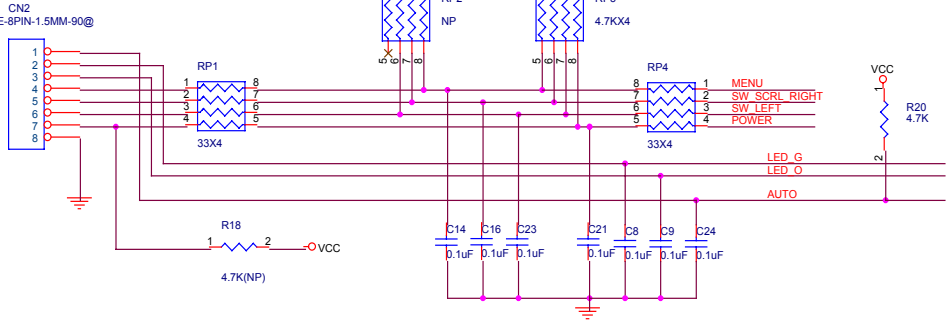
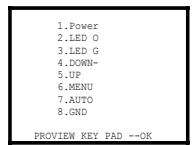
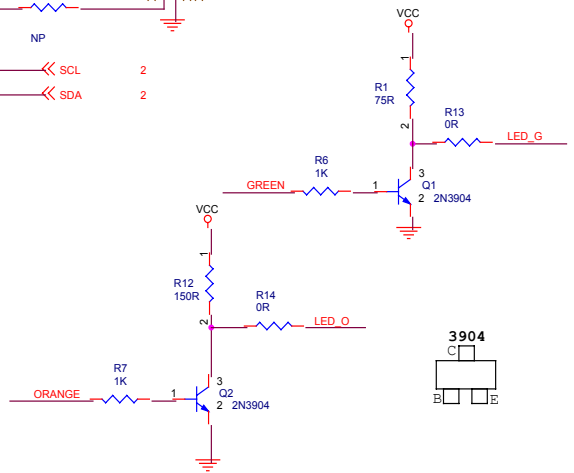
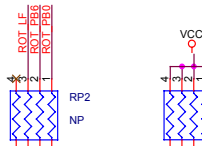
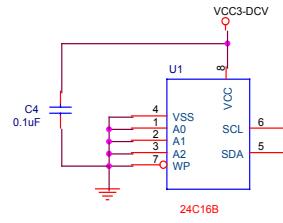


Acer Incorporated

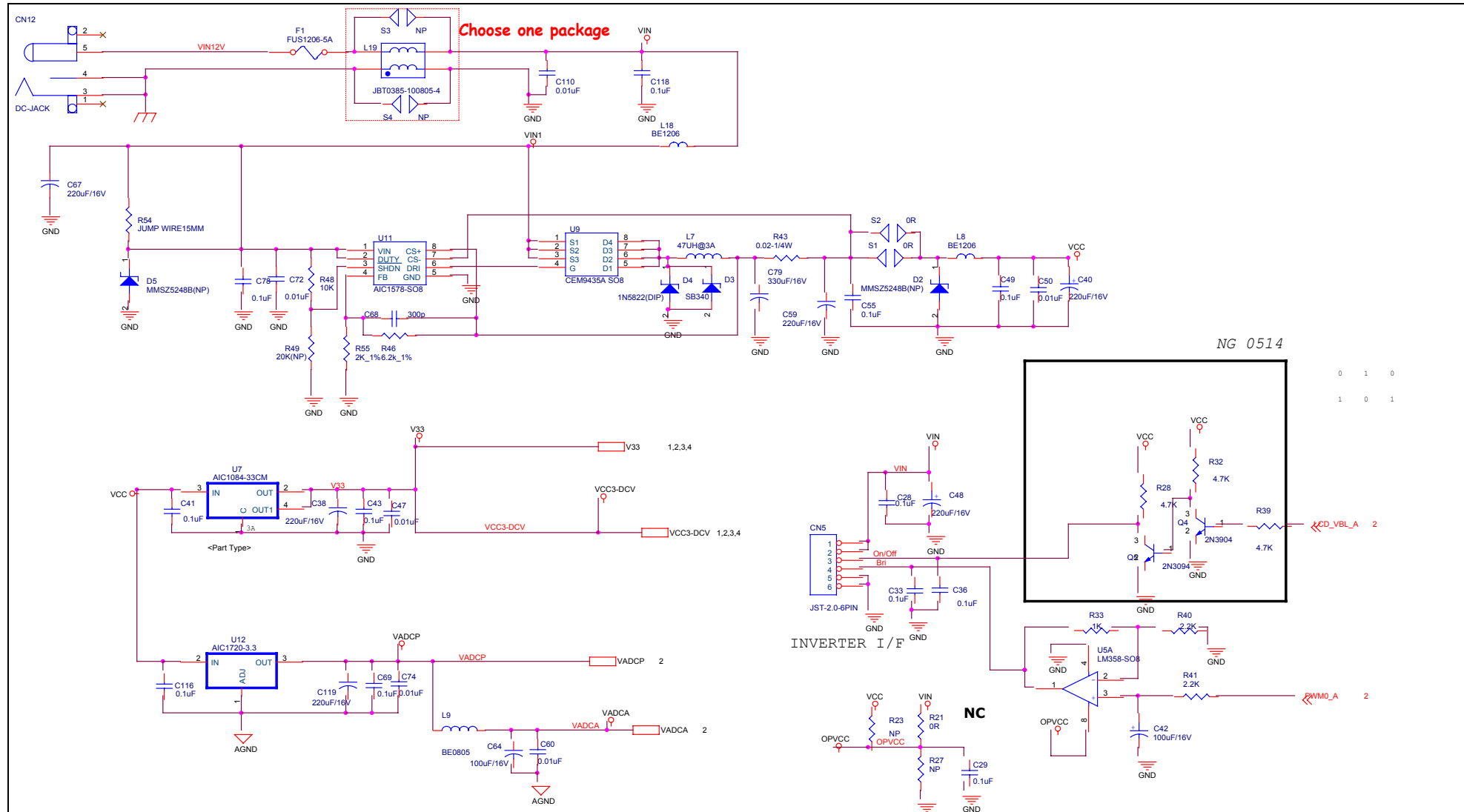
Title		
OUTPUT CONNECTOR		
Size	Document Number	Rev
	200-100-AS576	A
Date:	Friday, November 01, 2002	Sheet 3 of 6



2.5 BRI-ADJ <-> PWM0_A 2.5



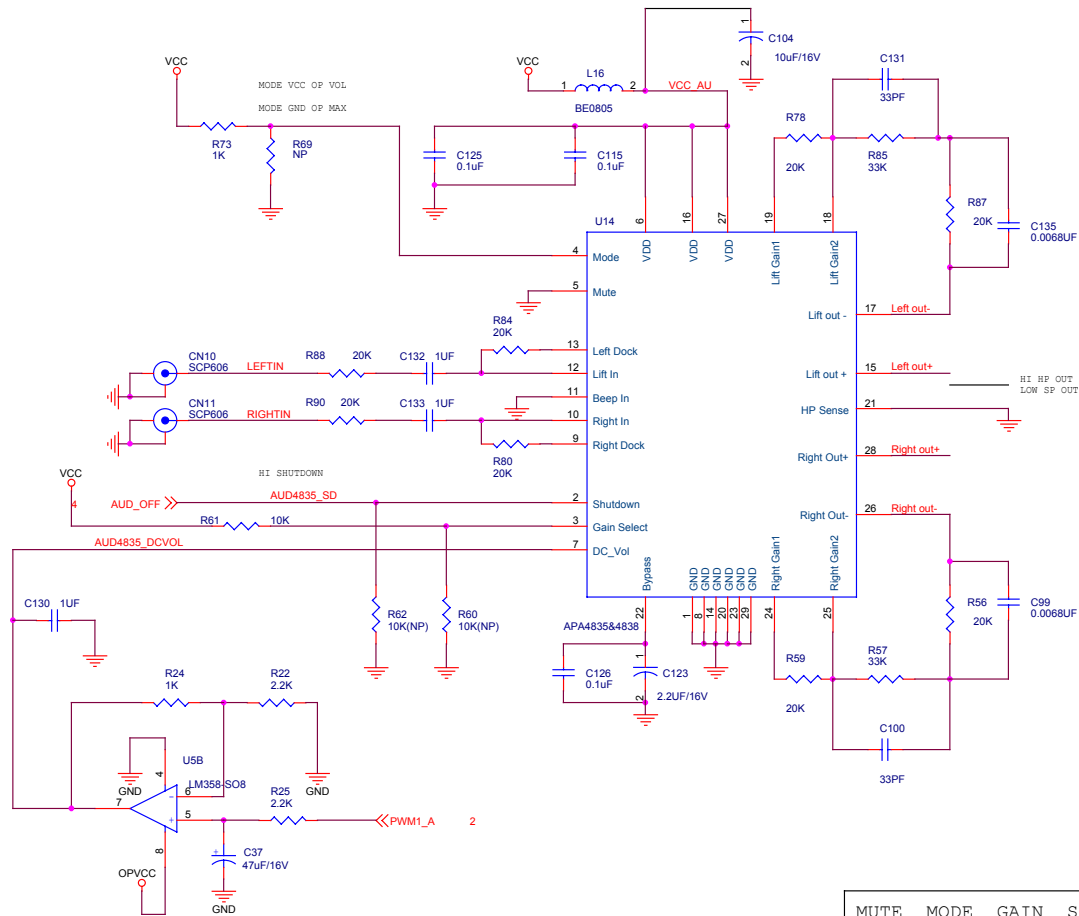
Acer Incorporated		
Title MCU & LCD POWER CONTRL		
Size	Document Number 200-100-AS576	Rev A
Date:	Friday, November 01, 2002	Sheet 4 of 6



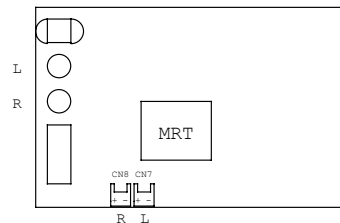
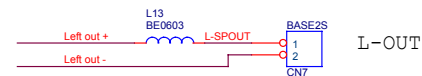
NG 0514

0 1 0
1 0 1

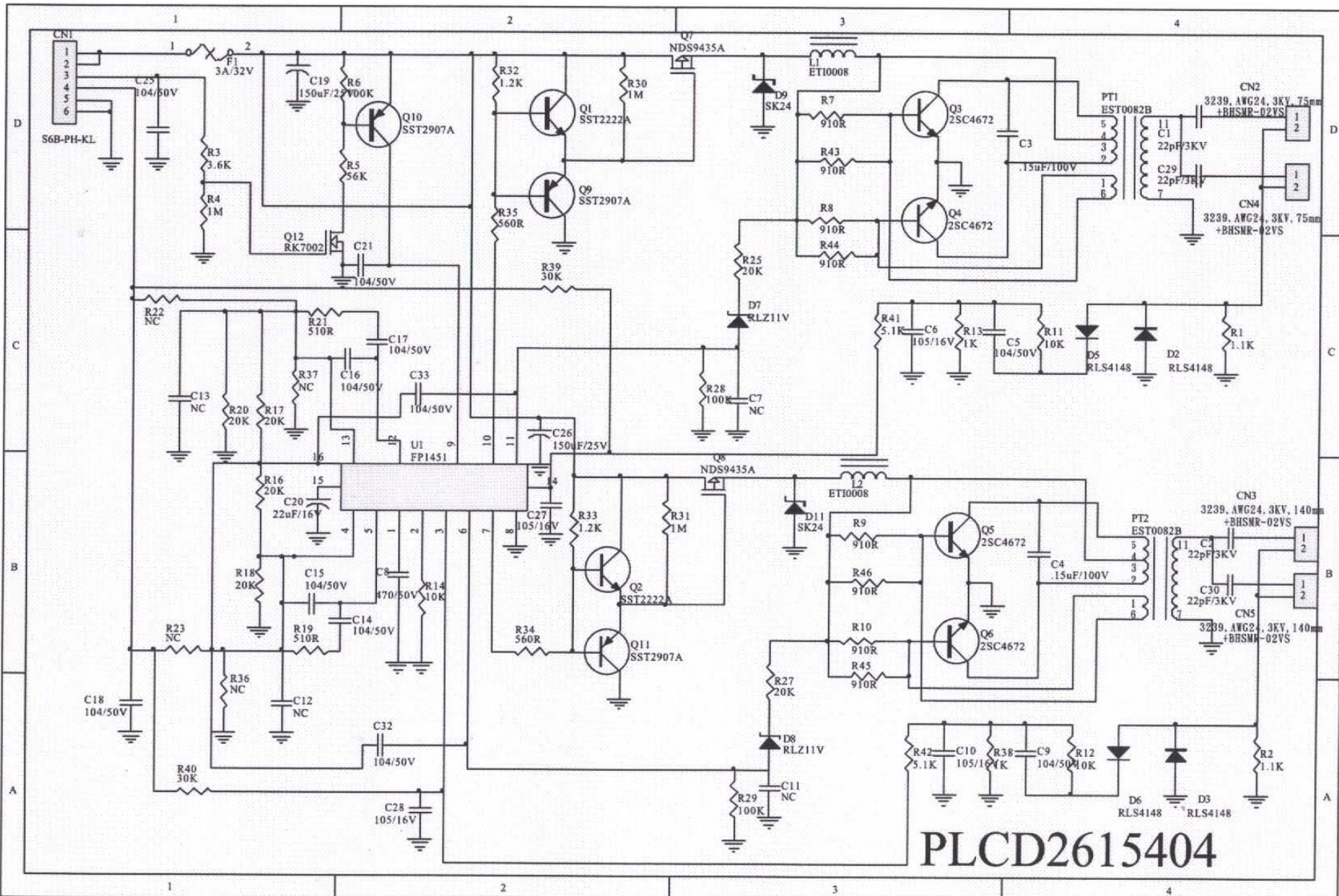
Acer Incorporated		
Title: POWER SUPPLY		
Size: Document Number	Rev: A	
200-100-AS576		
Date: Friday, November 01, 2002	Sheet: 5	of: 6



DEL L15
 DEL L17
 DEL C134
 DEL R86
 DEL R89



MUTE	MODE	GAIN	SDWN	HPS
0	1	1	0	0



PLCD2615404