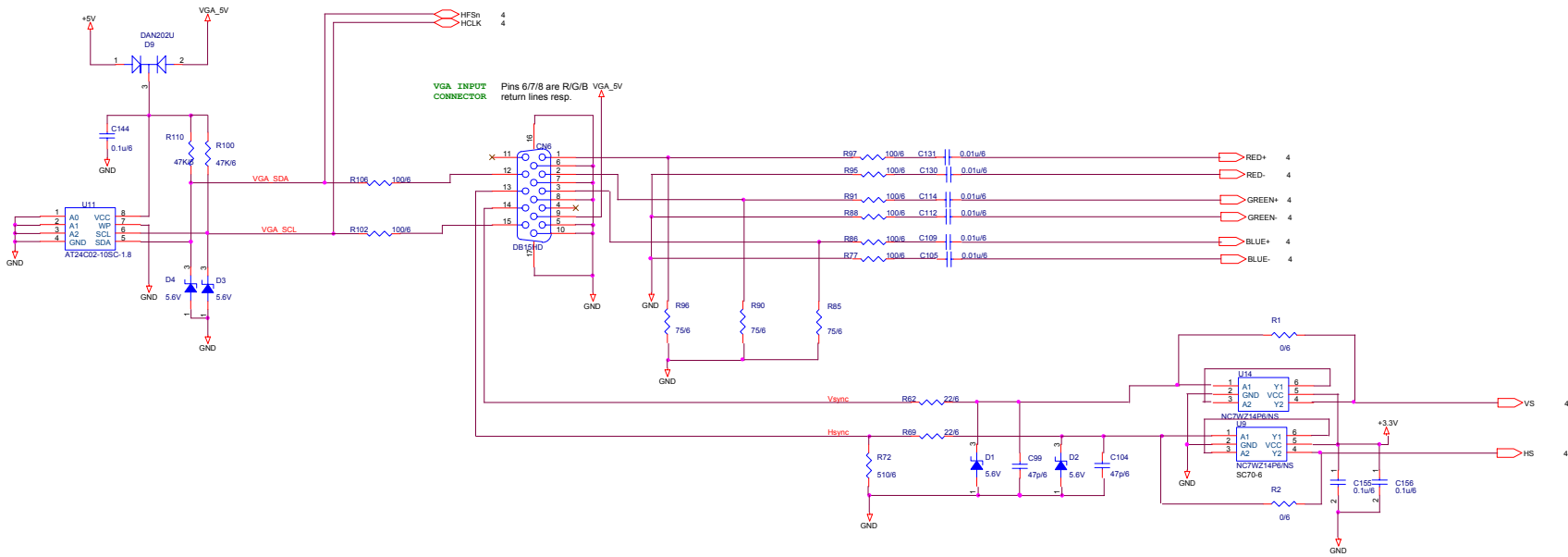



# 10. SCHEMATIC DIAGRAM~1

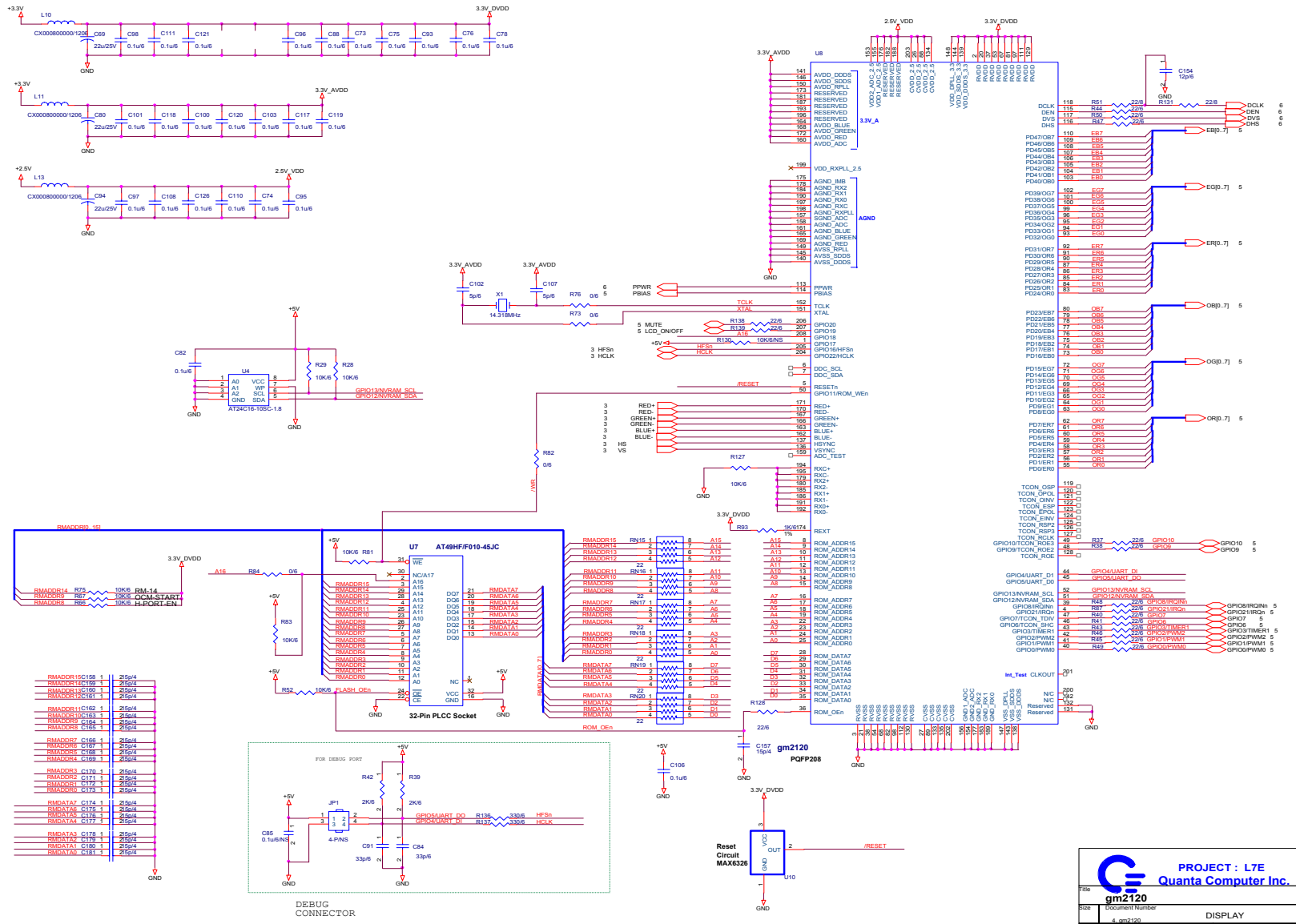
# Input connector



 <b>PROJECT : L7E</b> <b>Quanta Computer Inc.</b>			
		<b>INPUT CONNECTOR</b>	
Size	Document Number	DISPLAY	Rev A
Date:	Friday, May 24, 2002	Sheet 3 of 7	

# 10. SCHEMATIC DIAGRAM~2

# Scaler gm2120



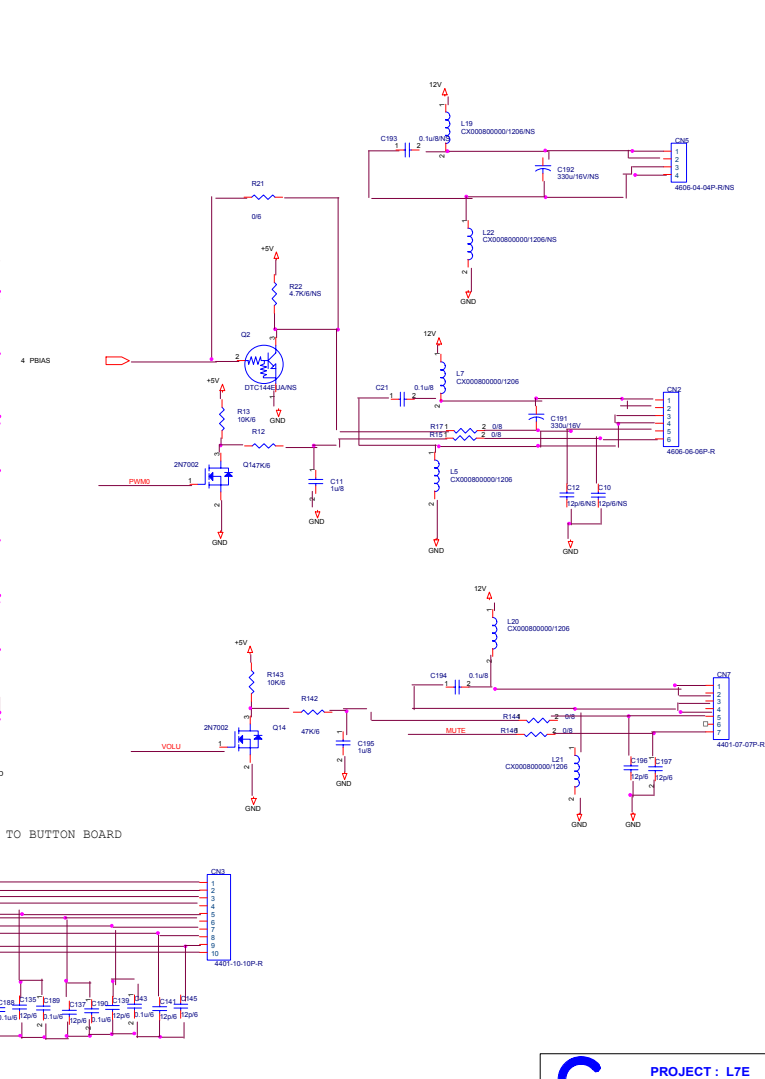
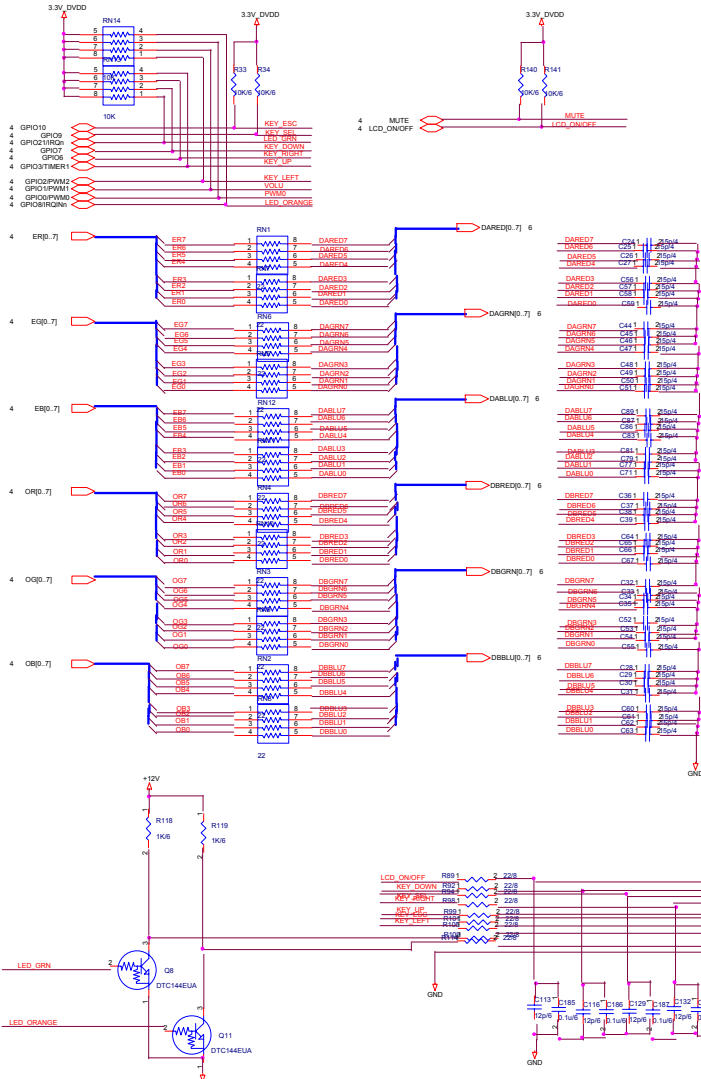
**PROJECT : L7E**  
**Quanta Computer Inc.**

File: gm2120			Rev: A
Size:	Document Number:	DISPLAY	
Date:	4 gm2120	Sheet 4 of 7	

Date: 1/25/2002, September 27, 2002

# 10. SCHEMATIC DIAGRAM~3

# Connector

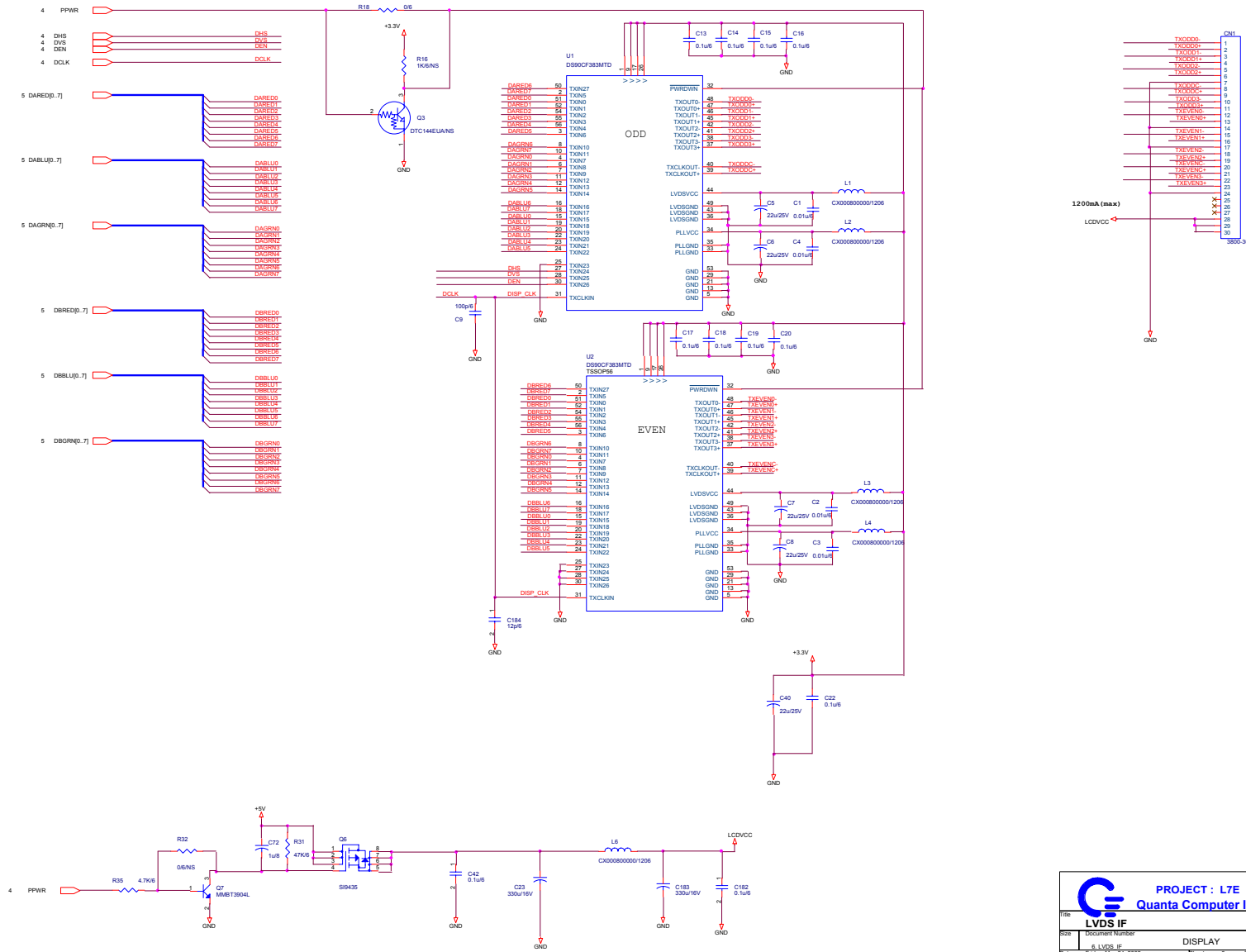


**PROJECT : L7E**  
**Quanta Computer Inc.**

File	DISPLAY	
Rev	1	Rev A
Date	Friday, May 24, 2002	Page 6 of 7

# 10. SCHEMATIC DIAGRAM~4

# LVDS-IF

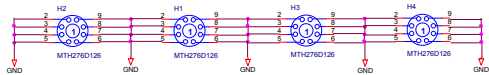
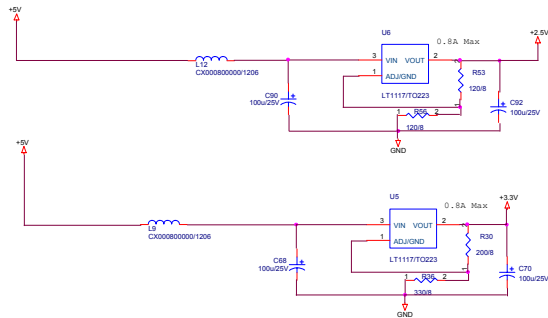
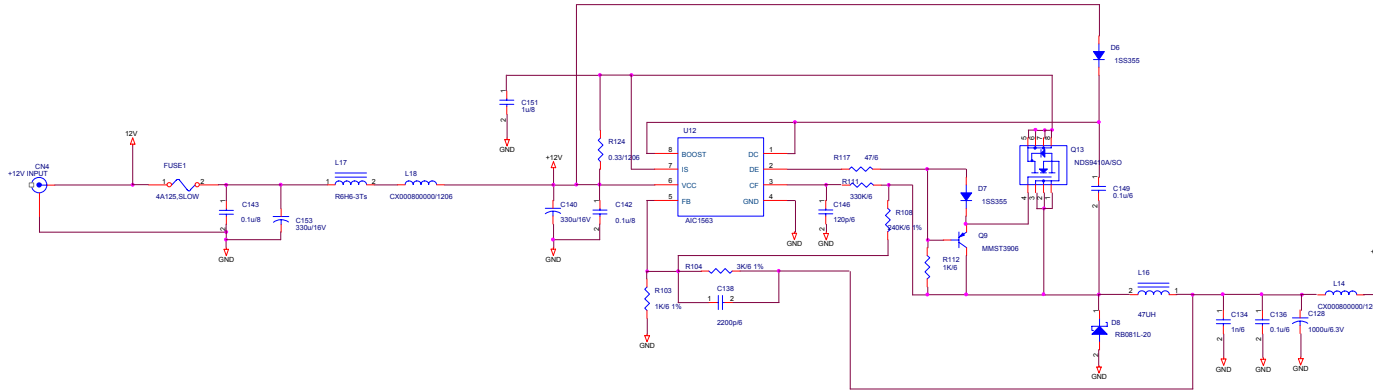



**PROJECT : L7E**  
**Quanta Computer Inc.**

Doc	Document Number	Rev
6501	6 LVDS-IF	A
Date	Friday, May 24, 2002	Sheet 6 of 7
	DISPLAY	

# 10. SCHEMATIC DIAGRAM~5

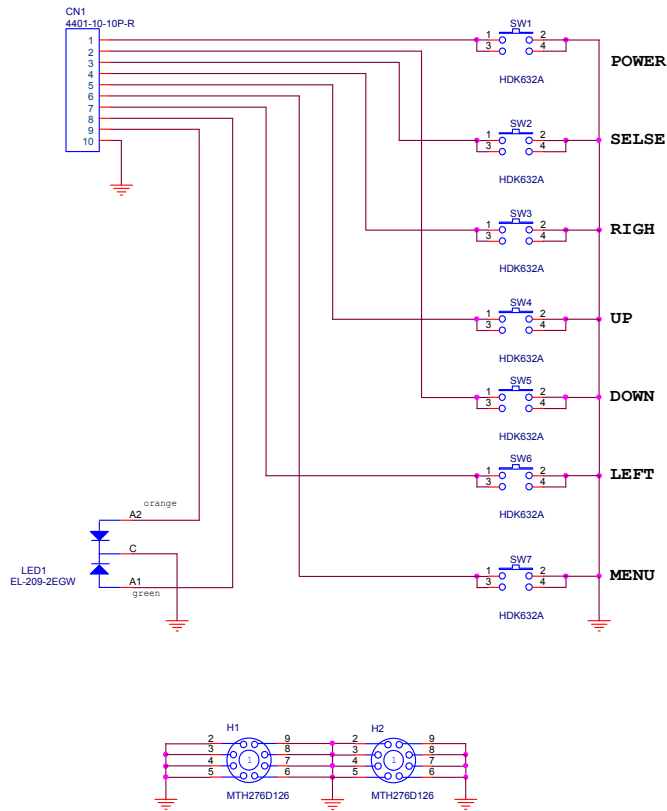
# Power




		PROJECT : L7E	
		Quanta Computer Inc.	
POWER			
Doc	Document Number	DISPLAY	Rev A
Date	Friday, May 24, 2009	Print	7 of 7

# 10. SCHEMATIC DIAGRAM~6

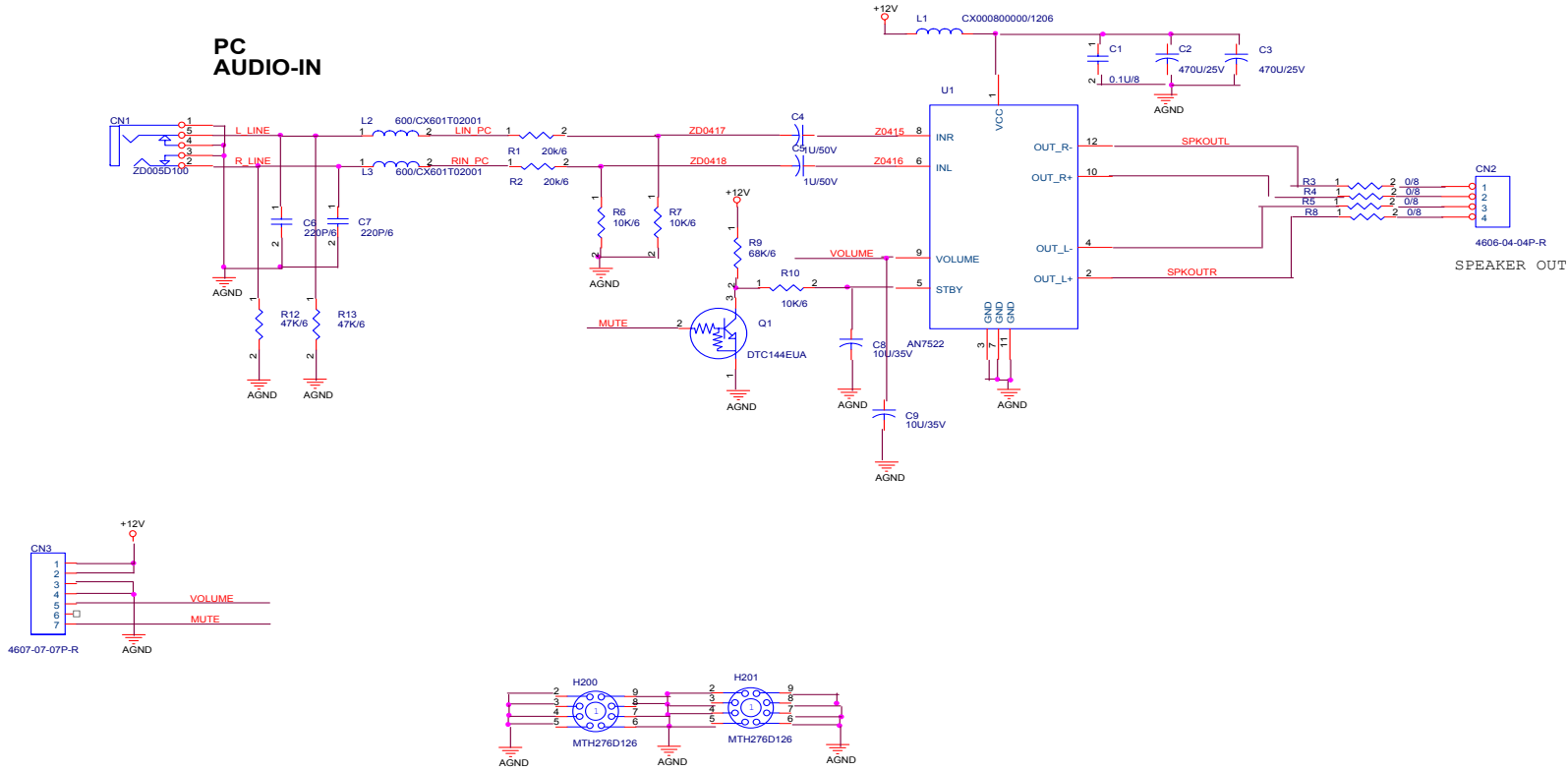
# Button board




 <b>PROJECT : L7E</b> <b>Quanta Computer Inc.</b>			
		Title: <b>L7E</b>	
Size	Document Number	BUTTON-BOARD	Rev A
Date:	Friday, May 24, 2002	Sheet 2 of 2	

# 10. SCHEMATIC DIAGRAM~7

# Audio



 <b>PROJECT : L7E</b> <b>Quanta Computer Inc.</b>			
		<b>CONTENT</b>	
File			Rev
Size	Document Number	AUDIO	A
Date:	SCHEMATIC	Sheet	2 of 2
	Fri, May 24, 2002		