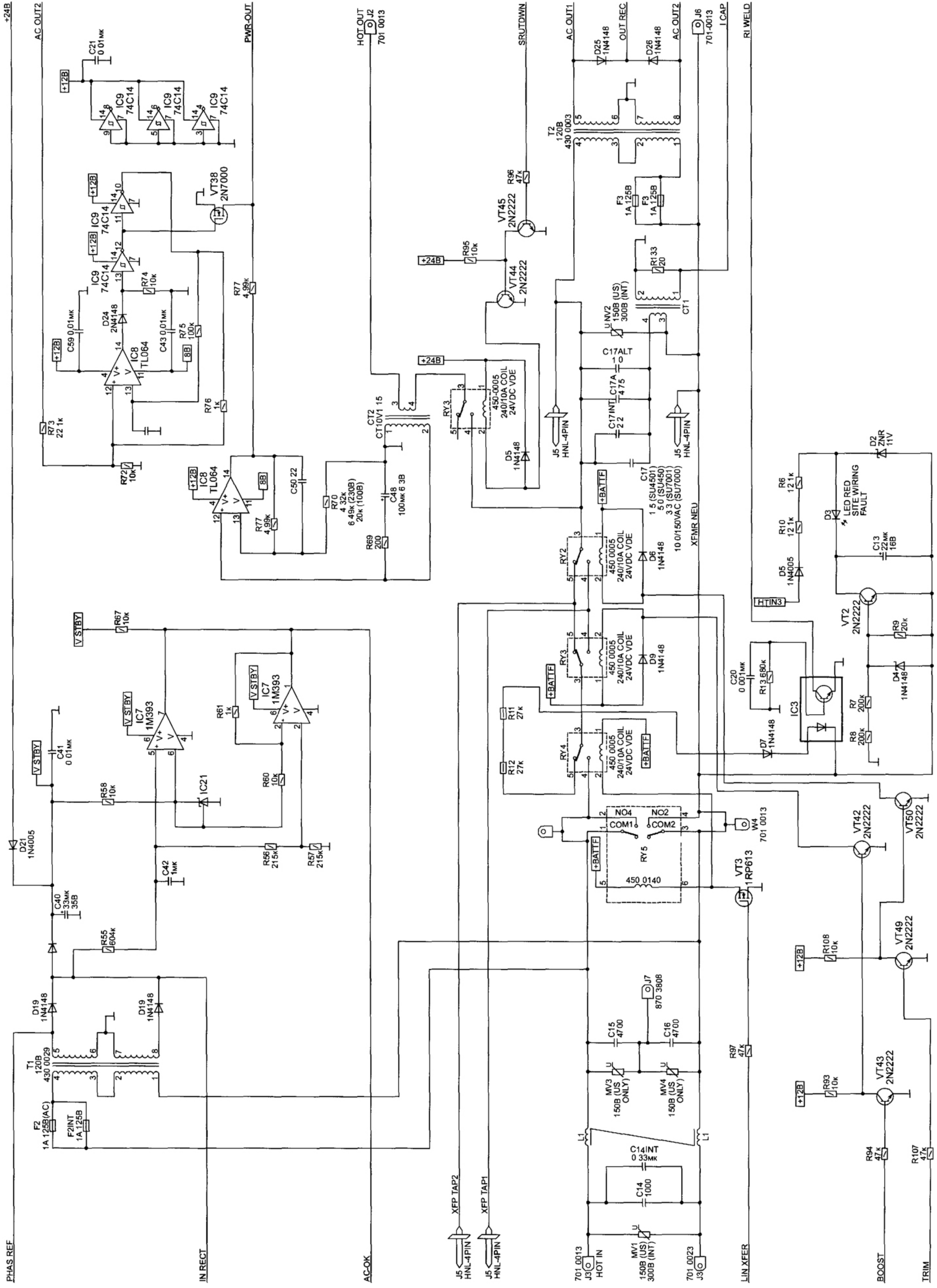
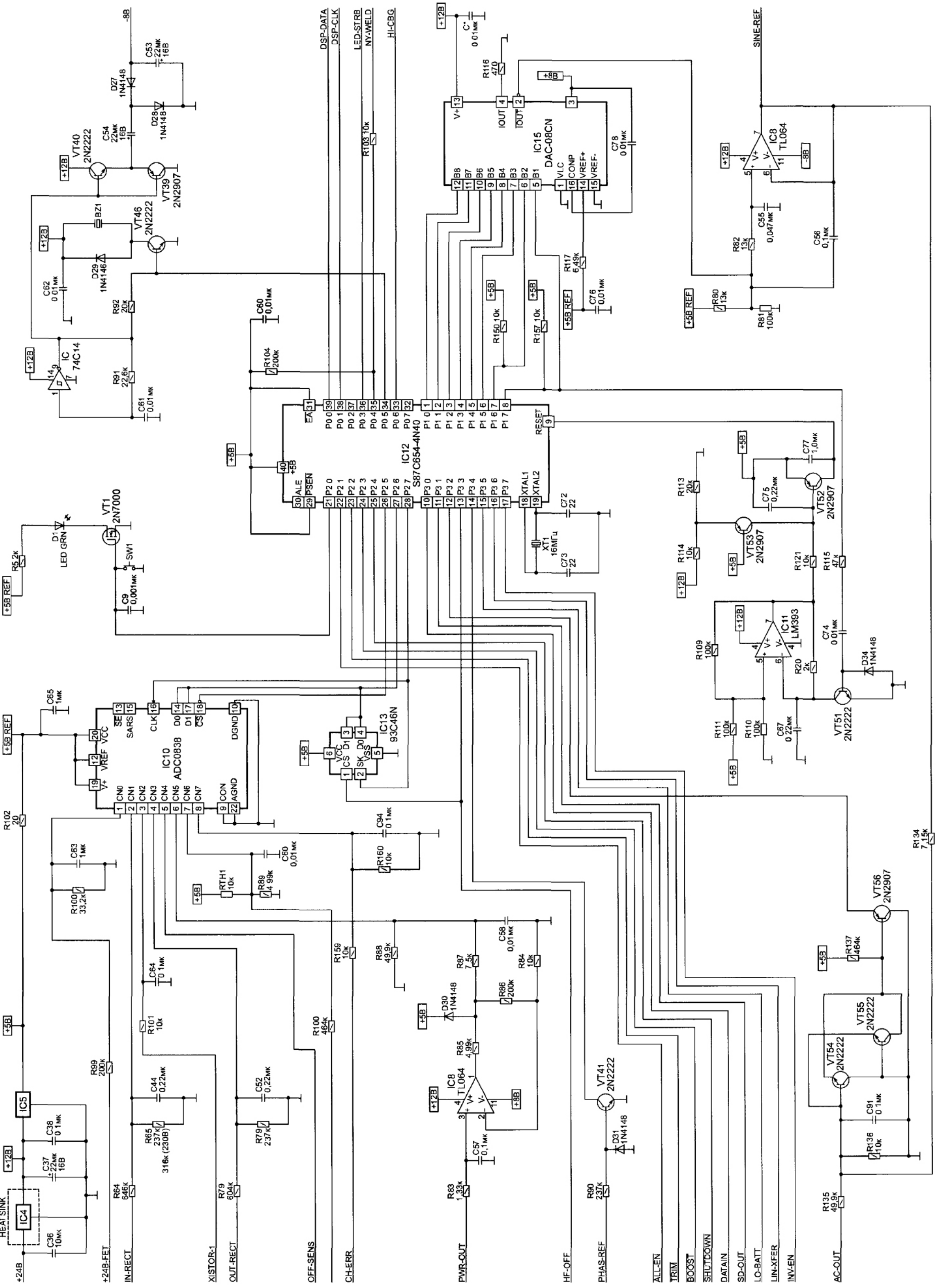


Принципиальная схема ИБП Back-UPS 250i/40i/600i





+24B
 HEAT SINK
 IC4
 C36 10mk
 C37 22mk
 C38 0.1mk
 IC5
 R99 200k
 +5B
 R102 20
 R100 464k
 R159 10k
 R88 49.9k
 R87 7.5k
 R86 200k
 R84 10k
 C58 0.01mk
 R85 4.99k
 D30 1N4148
 IC8 TL064
 R83 1.33k
 C57 0.1mk
 R90 237k
 D31 1N4148
 VT41 2N2222
 +12B
 +5B
 R98 646k
 R79 604k
 C44 0.22mk
 C64 0.1mk
 R101 10k
 R65 237k
 R64 237k
 C39 16B
 C40 22mk
 R97 22.8k
 C62 0.01mk
 R92 20k
 IC 74C14
 +12B
 R91 22.8k
 C61 0.01mk
 C9 0.001mk
 SW1
 LED GRN
 D1
 VT1 2N7000
 +5B REF
 R5.2k
 C62 0.01mk
 D29 1N4148
 BZ1
 VT46 2N2222
 VT40 2N2222
 C54 22mk
 D27 1N4148
 C53 22mk
 16B
 D28 1N4148
 VT39 2N2907
 -8B
 DSP-DATA
 DSP-CLK
 LED-ST RB
 NY-WELD
 HI-CBG
 R104 200k
 C60 0.01mk
 R103 10k
 S87C654-4N40
 P0 39
 P0 38
 P0 37
 P0 36
 P0 35
 P0 34
 P0 33
 P0 32
 P0 31
 P1 01
 P1 12
 P1 13
 P1 34
 P1 45
 P1 56
 P1 67
 P1 78
 RESET 9
 XTAL1 16MHz
 C73 22
 C72 22
 XTAL2 19
 XTAL1 18
 EA 31
 +5B
 ALE 30
 PSEN 29
 R157 10k
 +5B REF
 R117 6.49k
 C76 0.01mk
 R116 470
 V+ 13
 IOOUT 4
 IOIN 2
 DAC-08CN IC15
 VLC 1
 COMP 16
 VREF+ 14
 VREF- 15
 +5B
 +12B
 SINE-REF
 R82 13k
 C55 0.047mk
 R81 100k
 C77 1.0mk
 VT52 2N2907
 R121 10k
 R115 47k
 R114 10k
 R113 20k
 C75 0.22mk
 +5B
 VT53 2N2907
 R109 100k
 R111 100k
 R110 100k
 C67 0.22mk
 R20 2k
 IC11 LM393
 C74 0.01mk
 +5B
 VT51 2N2222
 D34 1N4148
 R135 49.9k
 R136 10k
 C91 0.1mk
 VT54 2N2222
 VT55 2N2222
 +5B
 R137 464k
 VT56 2N2907
 AC-OUT
 R134 7.15k